

## Ordering Information

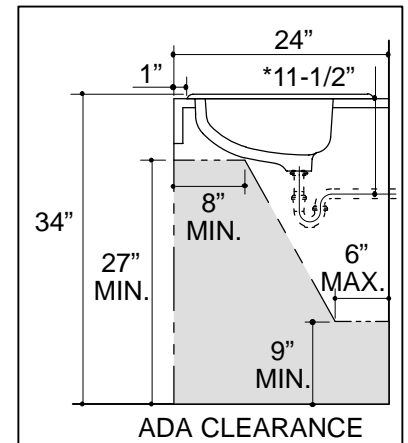
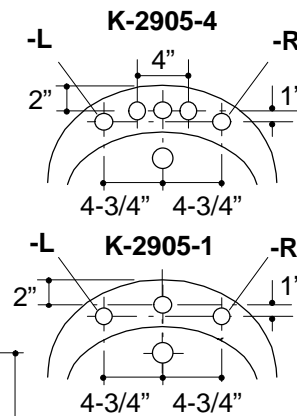
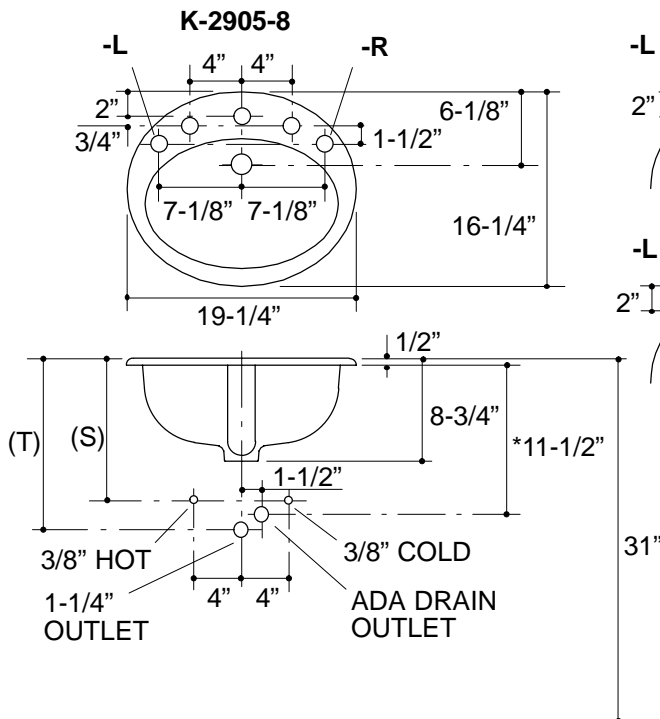
Applicable product:		
<b>8" centers lavatory</b>	K-2905-8	shown
soap dispenser on left	K-2905-8L	
soap dispenser on right	K-2905-8R	
<b>4" centers lavatory</b>	K-2905-4	not shown
soap dispenser on left	K-2905-4L	
soap dispenser on right	K-2905-4R	
<b>Single-hole lavatory</b>	K-2905-1	not shown
soap dispenser on left	K-2905-1L	
soap dispenser on right	K-2905-1R	
Accessories/hardware:		
Trap	K-8998	recommended

## Product Information

<b>ADA compliant.</b>			
Fixture*:		basin area	water depth
Lavatory		16" x 11"	5"
Outlet	1-11/16" D.		
* Approximate measurements for comparison only.			
Holes	<b>K-2905-8</b>	<b>K-2905-4</b>	<b>K-2905-1</b>
Spout	1-1/8" D.	1-1/8" D.	1-3/8" D.
Faucet	1-5/16" D.	1-3/16" D.	
Soap dispenser			1-1/4" D.
<b>Included Components:</b>			
Overflow ferrule			44071
Cutout template			101082-7

## Installation Notes

Refer to installation instructions included with fixture before beginning installation.



### Roughing-In Notes

Fixture dimensions are nominal and conform to tolerances in ASME Standard A112.19.2M.

\*Based on K-8998, with 1" tailpiece exposed.

(T) Pop-up drain 14-3/8", grid drain 13-1/2".

Supply (Based on 12" riser which may require cutting).	K-2905-4 K-2905-1	K-2905-8
(S)	10"	14"