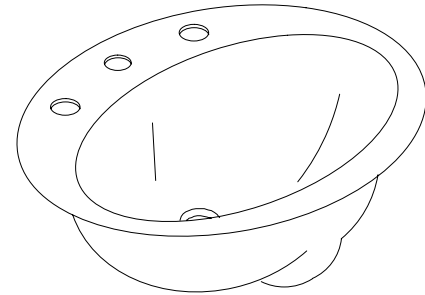


FEATURES

- 19-1/4" x 16-1/4"
- Cast iron
- Self-rimming
- 8" centers (K-2905-8), 4" centers (K-2905-4) or single-hole (K-2905-1)
- With overflow
- ADA compliant when installed in a 21" minimum depth countertop
- Optional soap dispenser hole on left (-L) or right (-R)



CODES/STANDARDS APPLICABLE

Specified model meets or exceeds the following:

- ADA
- ASME/ANSI A112.19.2M
- CABO/ANSI A117.1
- IAPMO/UPC
- Canadian Standards Association (CSA)
- State of Massachusetts

COLORS/FINISHES

- 0 White
- Other Refer to Fixtures Price Book for additional colors

Accessories:

- CP Polished Chrome
- Other Refer to Faucets Price Book for additional finishes

SPECIFIED MODEL:

Model	Description	Colors/Finishes	
K-2905-8	8" centers lavatory less soap dispenser hole	<input type="checkbox"/> 0 White	<input type="checkbox"/> Other_____
K-2905-8L	8" centers lavatory with soap dispenser hole on left	<input type="checkbox"/> 0 White	<input type="checkbox"/> Other_____
K-2905-8R	8" centers lavatory with soap dispenser hole on right	<input type="checkbox"/> 0 White	<input type="checkbox"/> Other_____
K-2905-4	4" centers lavatory less soap dispenser hole	<input type="checkbox"/> 0 White	<input type="checkbox"/> Other_____
K-2905-4L	4" centers lavatory with soap dispenser hole on left	<input type="checkbox"/> 0 White	<input type="checkbox"/> Other_____
K-2905-4R	4" centers lavatory with soap dispenser hole on right	<input type="checkbox"/> 0 White	<input type="checkbox"/> Other_____
K-2905-1	Single-hole lavatory less soap dispenser hole	<input type="checkbox"/> 0 White	<input type="checkbox"/> Other_____
K-2905-1L	Single-hole lavatory with soap dispenser hole on left	<input type="checkbox"/> 0 White	<input type="checkbox"/> Other_____
K-2905-1R	Single-hole lavatory with soap dispenser hole on right	<input type="checkbox"/> 0 White	<input type="checkbox"/> Other_____

Recommended Accessories

K-8998	Trap	<input type="checkbox"/> CP	<input type="checkbox"/> Other_____
--------	------	-----------------------------	-------------------------------------

PRODUCT SPECIFICATION:

The self-rimming lavatory shall be 19-1/4" in length, and 16-1/4" in width. Lavatory shall be made of cast iron. Lavatory shall have 8" centers (K-2905-8), 4" centers (K-2905-4), or single-hole (K-2905-1) drilling. Lavatory shall have overflow. Lavatory shall be ADA compliant when installed in a 21" minimum depth countertop. Lavatory shall have optional soap dispenser hole on left (-L) or right (-R). Lavatory shall be Kohler Model K-2905-_____ - _____.

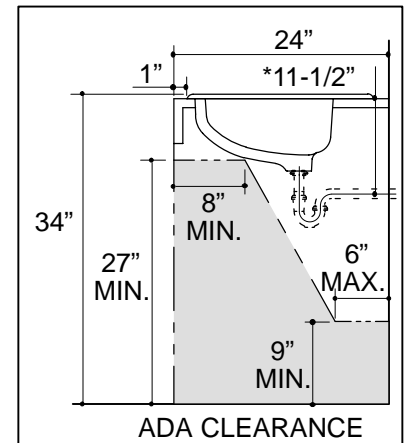
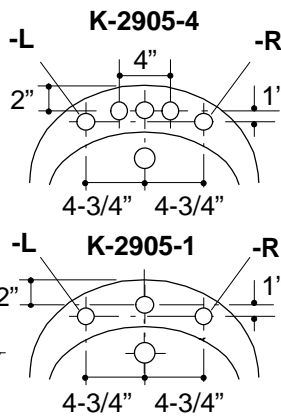
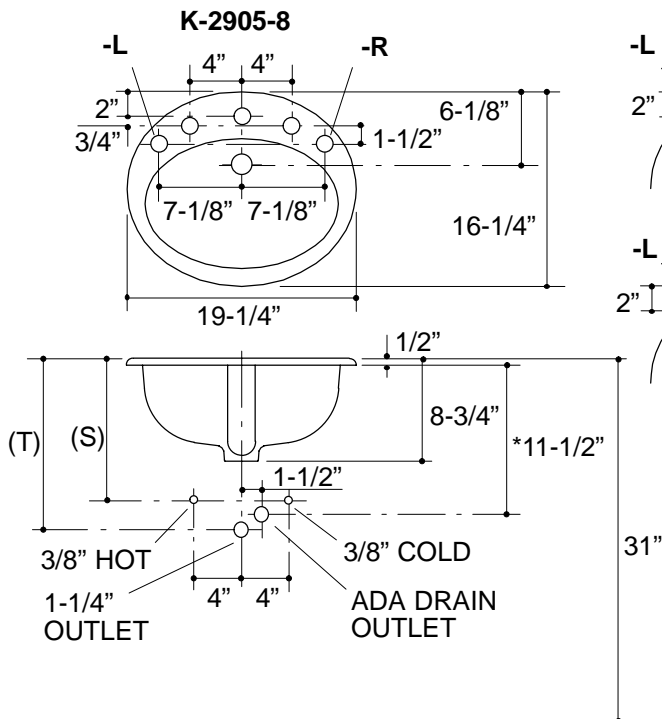
PRODUCT INFORMATION

ADA compliant.			
Fixture*:		basin area	water depth
Lavatory		16" x 11"	5"
Outlet	1-11/16" D.		
* Approximate measurements for comparison only.			
Holes	K-2905-8	K-2905-4	K-2905-1
Spout	1-1/8" D.	1-1/8" D.	1-3/8" D.
Faucet	1-5/16" D.	1-3/16" D.	
Soap dispenser	1-1/4" D.		

Included Components:	
Overflow ferrule	44071
Cutout template	101082-7

INSTALLATION NOTES

Refer to installation instructions included with fixture before beginning installation.



Roughing-In Notes		
*Based on K-8998, with 1" tailpiece exposed.		
(T) Pop-up drain 14-3/8", grid drain 13-1/2".		
Supply (Based on 12" riser which may require cutting).	K-2905-4 K-2905-1	K-2905-8
(S)	10"	14"

PRODUCT DIAGRAM