

Ordering Information

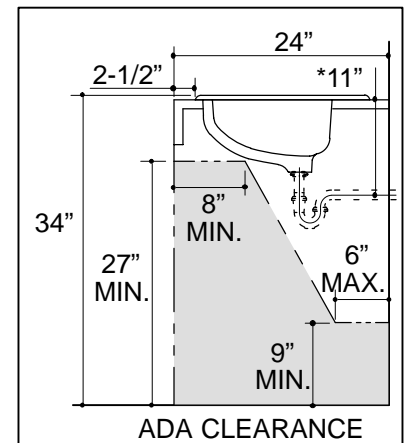
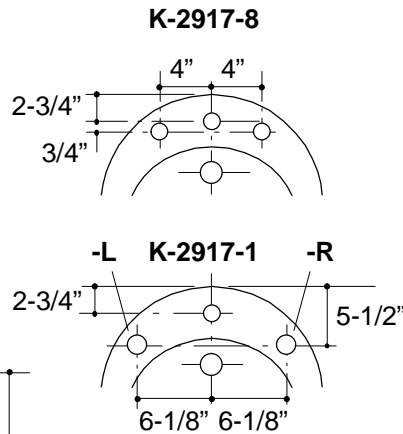
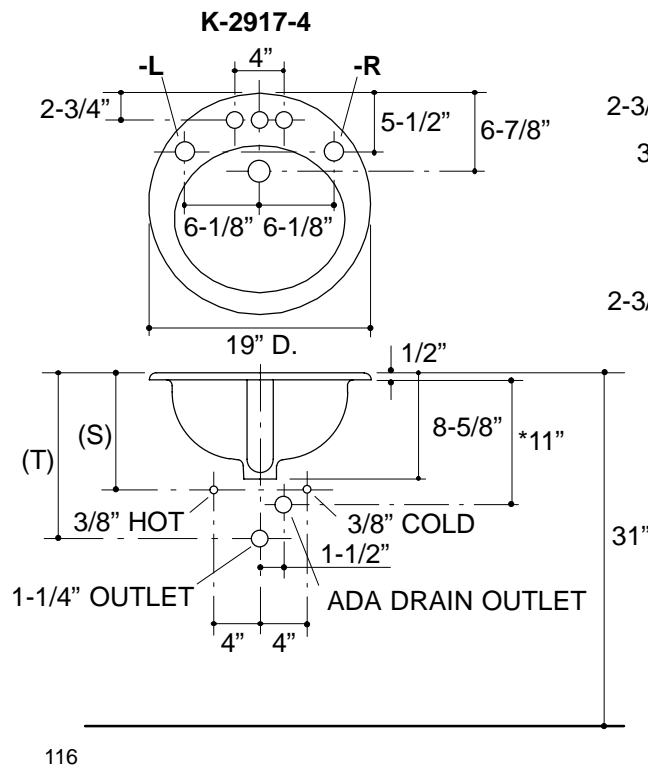
Applicable product:		
4" centers lavatory	K-2917-4	shown
soap dispenser on left	K-2917-4L	
soap dispenser on right	K-2917-4R	
8" centers lavatory	K-2917-8	not shown
Single-hole lavatory	K-2917-1	not shown
soap dispenser on left	K-2917-1L	
soap dispenser on right	K-2917-1R	
Accessories/hardware:		
Trap	K-8998	optional

Product Information

ADA compliant.			
Fixture*:		basin area	water depth
Lavatory		14" x 12"	5"
Outlet	1-11/16" D.		
* Approximate measurements for comparison only.			
Holes	K-2917-8	K-2917-4	K-2917-1
Spout	1-1/8" D.	1-1/8" D.	1-3/8" D.
Faucet	1-5/16" D.	1-3/16" D.	
Soap dispenser			1-1/4" D.
Included Components:			
Overflow ferrule			44071
Cutout template			101082

Installation Notes

Refer to installation instructions included with fixture before beginning installation.



Roughing-In Notes

Fixture dimensions are nominal and conform to tolerances in ASME Standard A112.19.2M.

*Based on K-8998, with 1" tailpiece exposed.

(T) Pop-up drain 14-3/16", grid drain 13-5/16".

Supply (Based on 12" riser which may require cutting).	K-2917-4 K-2917-1	K-2917-8
(S)	254mm	356mm