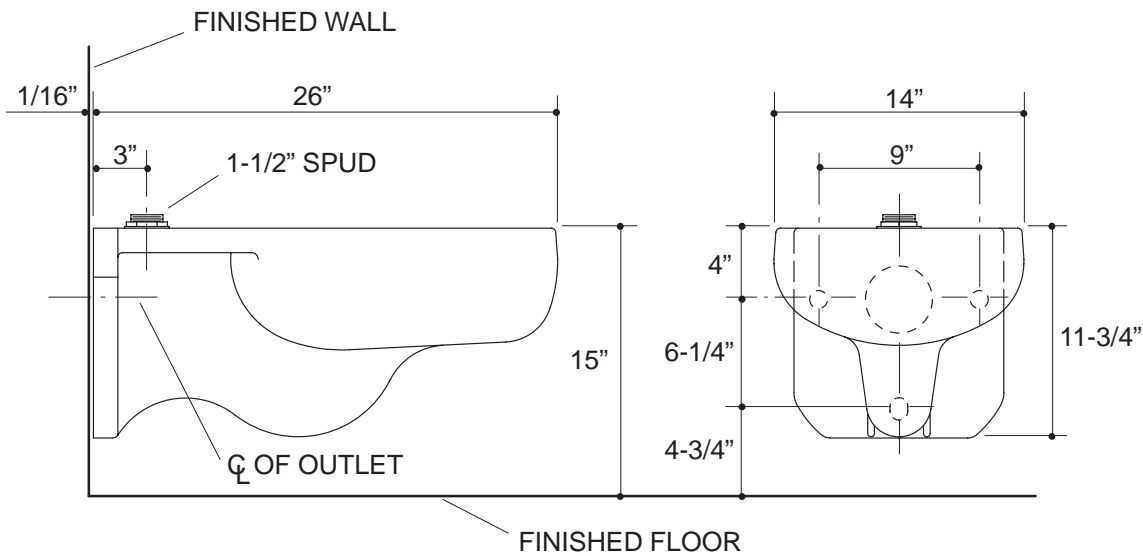


Ordering Information

Accessories/hardware:		
Standard toilet	K-4450-C	shown
Toilet with bedpan lugs	K-4450-CL	not shown
Accessories/hardware:		
Seat	K-4670-C	recommended

Product Information

ADA compliant.	
Fixture:	
Configuration	Top spud, elongated
Gallons per flush	3.5 gallons*
Spud size	1-1/2"
Passageway	2-3/4"
Water depth from rim	5-3/8"
Seat post hole centers	5-1/2"
Minimum running pressure required	25 p.s.i.
* Designed to flush with 3.5 gallons of water when installed with a 3.5 gpf valve.	
Included Components:	
Spud	18357
Flush valve requirements: Refer to manufacturer and local codes.	



Roughing-In Notes

Fixture dimensions are nominal and conform to tolerances in ASME Standard A112.19.2M.

1.25>116

K-4450-C Stratton™ Toilet
105098-1-BA (-)