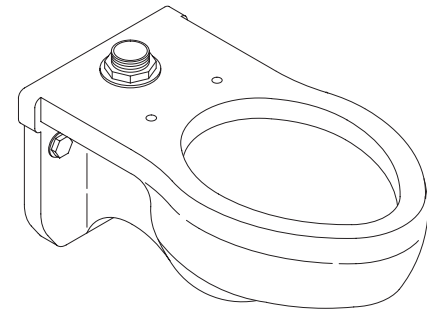


FEATURES

- 1-1/2" top spud
- Vitreous china
- Elongated bowl
- Blow-out
- Wall-mount
- 3.5 gpf
- ADA compliant when installed at required height of 17"-19" from floor to top of seat
- With bedpan lugs (-CL)



CODES/STANDARDS APPLICABLE

Specified model meets or exceeds the following:

- ADA
- ASME/ANSI A112.19.2M
- ASME/ANSI A112.19.6M
- CABO/ANSI A117.1
- Energy Policy Act of 1992 (EPACT)
- IAPMO/UPC
- State of Massachusetts

COLORS/FINISHES

- 0 White

Accessories:

- 0 White
- Other Refer to Fixtures Price Book for additional colors

SPECIFIED MODEL:

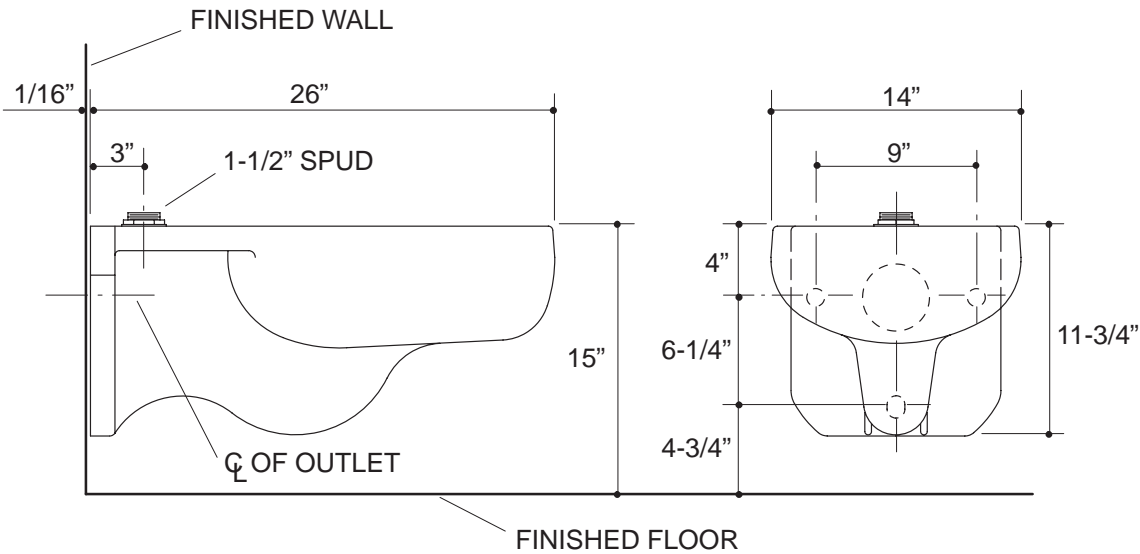
Model	Description	Colors/Finishes	
K-4450-C	Elongated bowl toilet	<input type="checkbox"/> 0 White	
K-4450-CL	Elongated bowl toilet with bedpan lugs	<input type="checkbox"/> 0 White	
Recommended Accessories			
K-4670-C	Lustra™ open front seat	<input type="checkbox"/> 0 White	<input type="checkbox"/> Other _____
K-4670-CA	Lustra™ open front seat (with anti-microbial agent)	<input type="checkbox"/> 0 White	

PRODUCT SPECIFICATION:

The elongated wall-mount blow-out bowl shall have 1-1/2" top spud. Bowl shall be made of vitreous china. Bowl shall be 3.5 gpf. Bowl shall be ADA compliant when installed at required height of 17"-19" from floor to top of seat. Bowl shall have bedpan lugs (-CL). Bowl shall be Kohler Model K-4450-C-_____.

PRODUCT INFORMATION

ADA compliant.	
Fixture:	
Configuration	Top spud, elongated
Gallons per flush	3.5 gallons*
Spud size	1-1/2"
Passageway	2-3/4"
Water depth from rim	5-3/8"
Seat post hole centers	5-1/2"
Minimum running pressure required	25 p.s.i.
* Designed to flush with 3.5 gallons of water when installed with a 3.5 gpf valve.	
Included Components:	
Spud	18357
Flush valve requirements: Refer to manufacturer and local codes.	



1.25>116

PRODUCT DIAGRAM