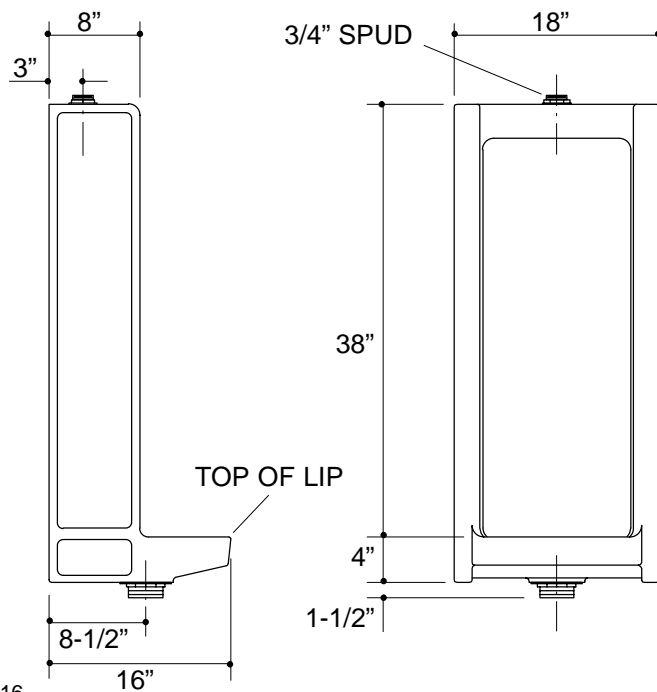


Ordering Information

Accessories/hardware:		
Strainer with china grate	K-9172	recommended
Strainer with stainless steel beehive grate	K-9183	recommended
3/4" replacement spud	18377	optional
Seam covers with spring clamps (21" centers)	K-4931	optional
Seam covers with spring clamps (24" centers)	K-4932	optional
China caps (pr.)	64784	optional
Recommended strainers are used for caulking 2" iron pipe or soldering 2" lead pipe.		

Product Information

ADA compliant.	
Fixture:	
Configuration	Top spud
Gallons per flush	1 gallon*
Spud inlet size	3/4"
* Designed to flush with one gallon of water when installed with a water saving flush valve.	
Included Components:	
Spud	18774
Flush valve requirements: Refer to manufacturer's instructions and local codes.	



Roughing-In Notes

Fixture dimensions are nominal and conform to tolerances in ASME Standard A112.19.2M.

For proper drainage, install lip of urinal below floor level.

116