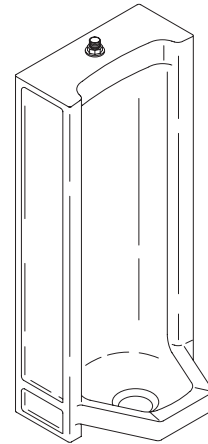


K-4920-T

ADA



FEATURES

- Vitreous china
- Washout stall
- 3/4" top spud
- 1.0 gallon flush
- ADA compliant

CODES/STANDARDS APPLICABLE

Specified model meets or exceeds the following:

- ADA
- ASME/ANSI A112.19.2M
- ASME/ANSI A112.19.6M
- CABO/ANSI A117.1
- Energy Policy Act of 1992 (EPACT)
- IAPMO/UPC
- CSA International B45
- States of New York, & Texas
- City of Los Angeles, CA

COLORS/FINISHES

- 0 White
- Other Refer to Fixtures Price Book for additional colors

Accessories:

- 0 White
- G Brushed Chrome
- NA None Applicable

SPECIFIED MODEL:

Model	Description	Colors/Finishes
K-4920-T	3/4" top spud stall urinal	<input type="checkbox"/> 0 White <input type="checkbox"/> Other _____

Recommended Accessories		
K-9172	Strainer with china grate	<input type="checkbox"/> NA
K-9183	Strainer with stainless steel beehive grate	<input type="checkbox"/> NA

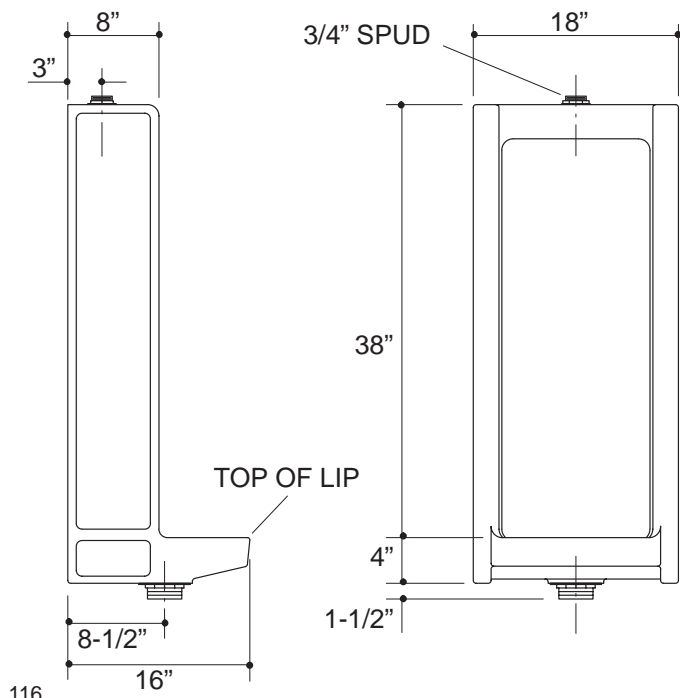
Optional Accessories		
K-4931	Seam cover (for urinal set on 21" centers)	<input type="checkbox"/> 0 White
K-4932	Seam cover (for urinal set on 24" centers)	<input type="checkbox"/> 0 White
K-13686	Touchless battery-powered urinal flush valve, fixture mounted	<input type="checkbox"/> G

PRODUCT SPECIFICATION:

The washout stall urinal shall be made of vitreous china with a 3/4" top spud. Urinal shall be 1.0 gallon flush. Urinal shall be ADA compliant. Urinal shall be Kohler Model K-4920-T-_____.

PRODUCT INFORMATION

ADA compliant.	
Fixture:	
Configuration	Top spud
Gallons per flush	1 gallon
Spud inlet size	3/4"
* Designed to flush with one gallon of water when installed with a water saving flush valve.	
Included Components:	
Spud	18774
Flush valve requirements: Refer to manufacturer's instructions and local codes.	



Roughing-In Notes

For proper drainage, install lip of urinal below floor level.

PRODUCT DIAGRAM