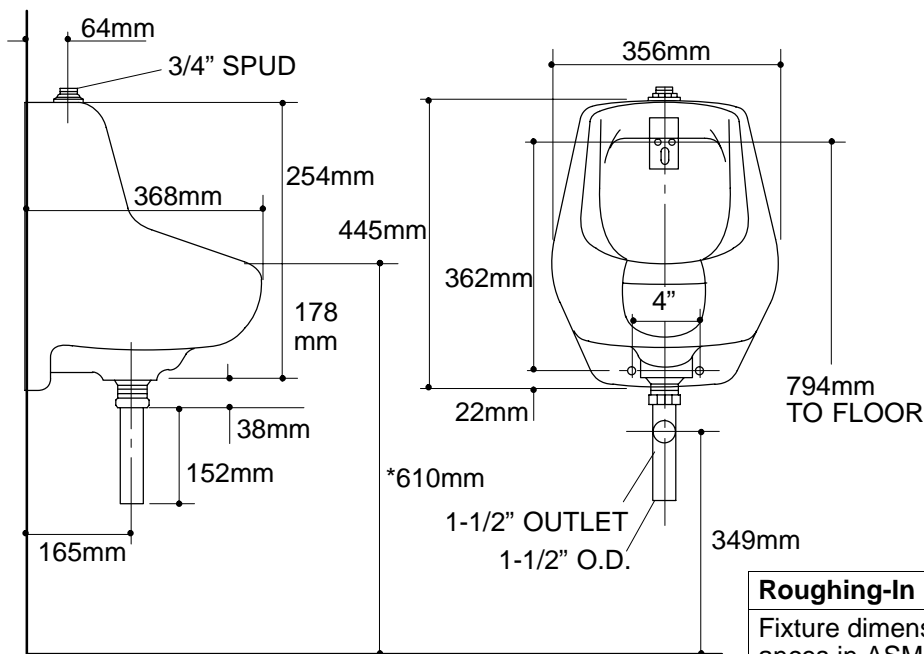


Ordering Information

Accessories/hardware:		
1-1/2" trap	K-9000	optional

Product Information

ADA compliant.	
Fixture:	
Configuration	Top spud
Litres per flush	3.785 litres*
Spud inlet size	3/4"
* Designed to flush with 3.785 litres of water when installed with a water saving flush valve.	
Included Components:	
3/4" inlet spud	18376
1-1/2" outlet spud	18357
Strainer	85062
1-1/2" tailpiece	38530
Hanger (1 required)	64512
Flush valve requirements: Refer to manufacturer's instructions and local codes.	



Roughing-In Notes

Fixture dimensions are nominal and conform to tolerances in ASME Standard A112.19.2M.

*Urinal complies with ADA requirement when rim is mounted no higher than 432mm from finished floor.

1.25>116

K-5024-T Darfield™ Urinal
105119-1M-BA (B)

KOHLER[®]