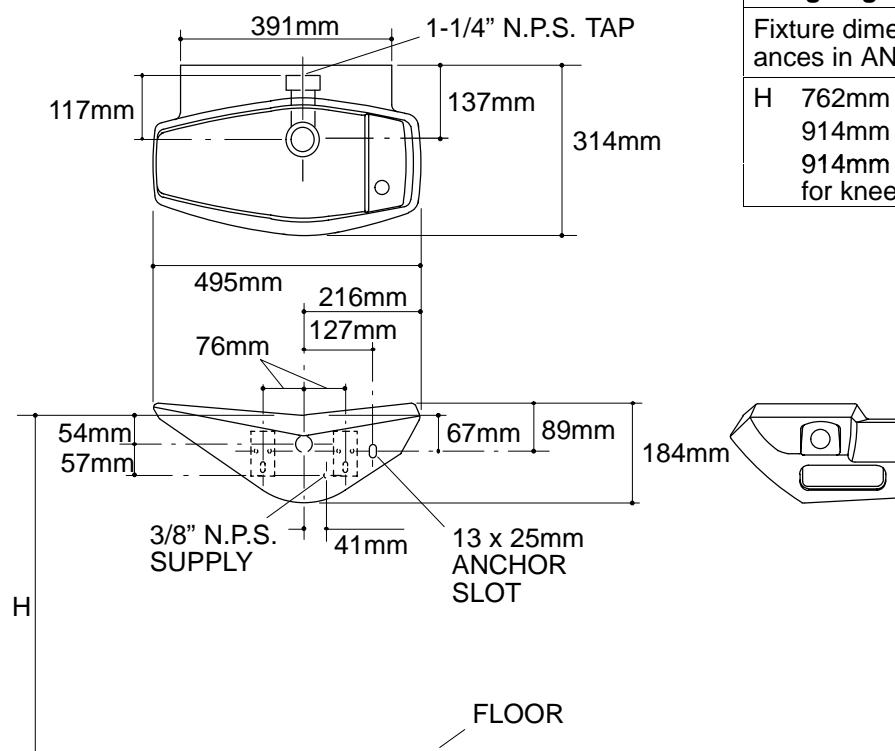


Product Information

Included Components:	
Hanger accessory pack	52046
Supply fitting sub-assembly	79187
Trap with strainer	35312
Bottom access plate assembly	35268
Side access plate assembly	35266
Supply stop sub-assembly	35308

Installation Notes

Refer to installation instructions included with fixture before beginning installation.



Roughing-In Notes
Fixture dimensions are nominal and conform to tolerances in ANSI Standard A112.19.2M.
H 762mm for grade school. 914mm to 1118mm for other buildings. 914mm max. to comply with ADA. Must be built-in for knee clearance.

1.15>116