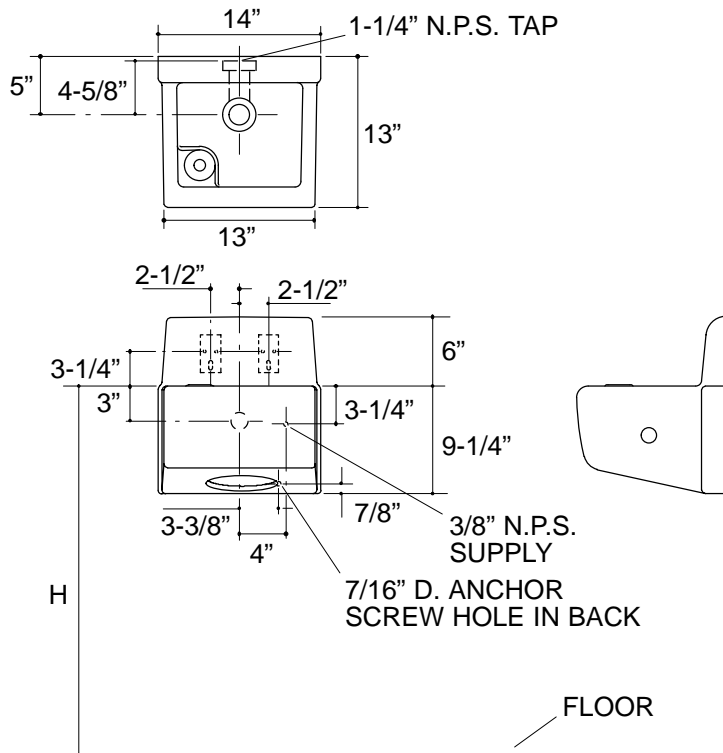


Product Information

Included Components:	
Hanger accessory pack	52046
Supply valve sub-assembly	79188
Trap with strainer	35312
Access plate	35693

Installation Notes

Refer to installation instructions included with fixture before beginning installation.



Roughing-In Notes

Fixture dimensions are nominal and conform to tolerances in ANSI Standard A112.19.2M.

- H 30" for grade school.
- 36" to 44" for other buildings.
- 36" max. to comply with ADA. Must be built-in for knee clearance.

1.15>116