

Ordering Information

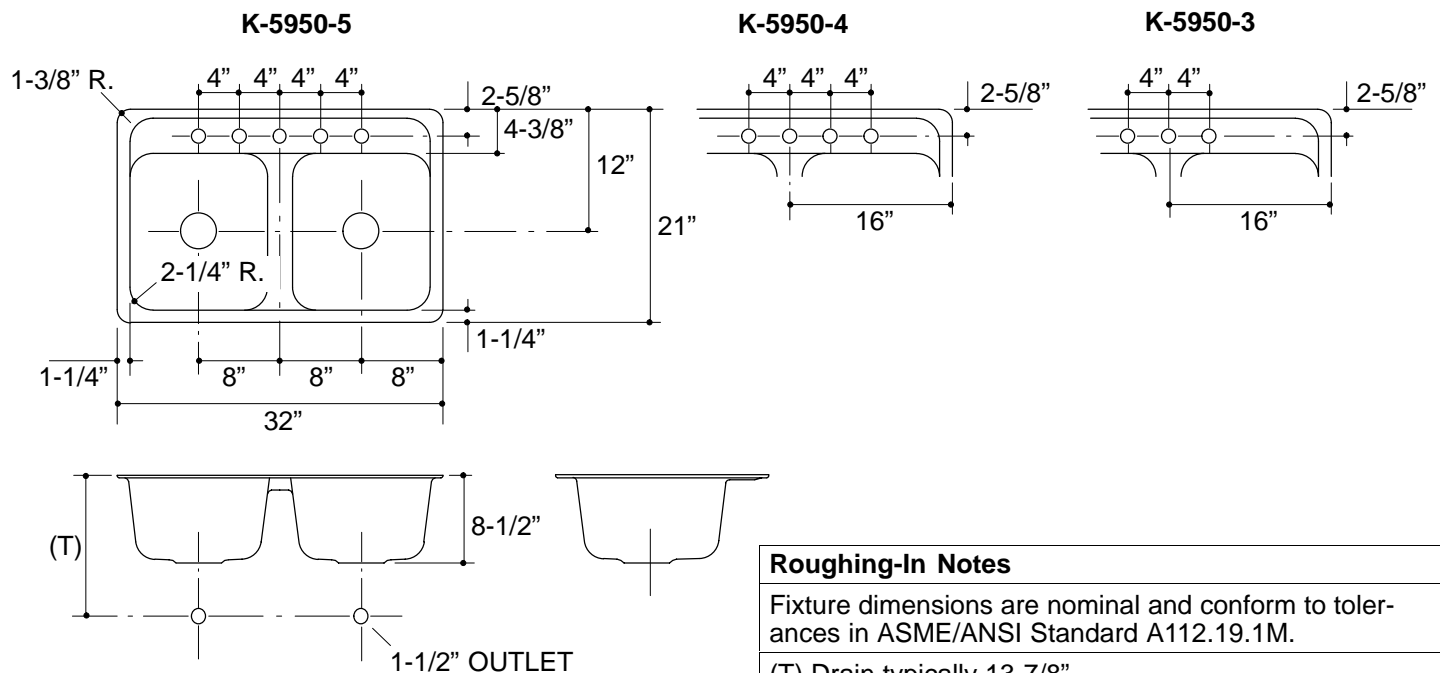
Applicable product:		
Five-hole sink	K-5950-5	shown
Four-hole sink	K-5950-4	not shown
Three-hole sink	K-5950-3	not shown
Accessories/hardware:		
Metal frame	K-6601	recommended

Product Information

Fixture*:		basin area	water depth
Sinks		14" x 15"	6-3/4"
Outlet	3-5/8" D.		
Faucet holes	1-3/8" D.		
* Approximate measurements for comparison only.			

Installation Notes

Refer to installation instructions included with fixture before beginning installation.



Roughing-In Notes	
Fixture dimensions are nominal and conform to tolerances in ASME/ANSI Standard A112.19.1M.	
(T) Drain typically 13-7/8".	
Cutout	Metal frame required.

.85<116

K-5950 Delafield™ Sink
105133-1-BA (-)