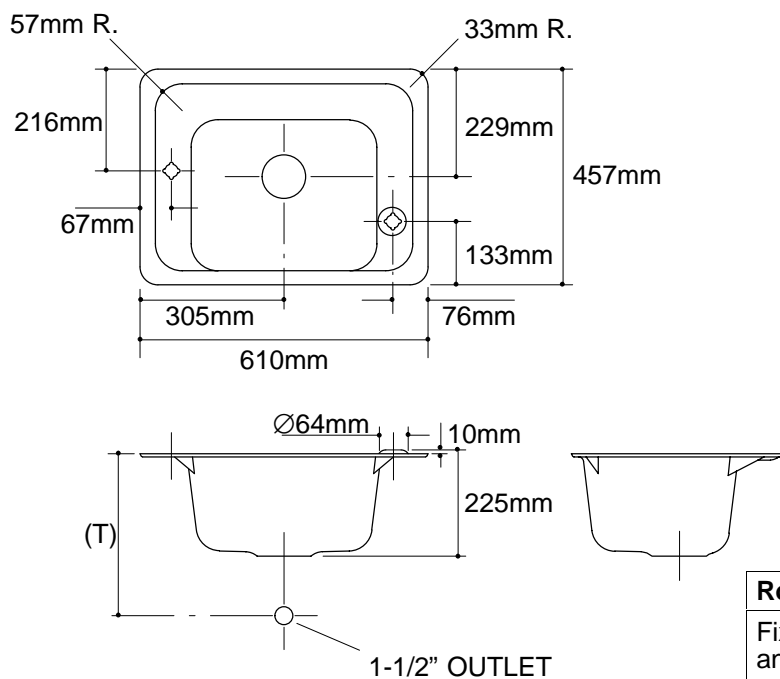


### Ordering Information

Accessories/hardware:		
1-1/2" trap	K-9000	recommended*
Faucet	K-7898	recommended*
Faucet/bubbler	K-7524	recommended*
Metal frame	K-6694	recommended
Strainer	K-8807	optional
* Dimensions illustrated		

### Product Information

Fixture*:		basin area	water depth
Sink		381 x 305mm	203mm
Outlet	Ø92mm		
Faucet hole	Ø29mm		
Bubbler hole	Ø29mm		
* Approximate measurements for comparison only.			



#### Roughing-In Notes

Fixture dimensions are nominal and conform to tolerances in ASME/ANSI Standard A112.19.1M.

(T) Drain typically 343mm.