

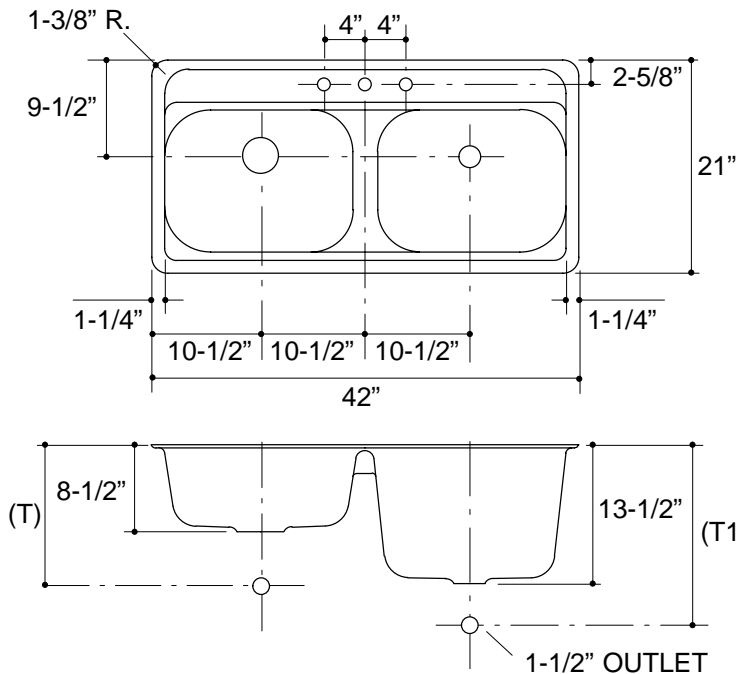
Ordering Information

Accessories/hardware:		
Metal frame	K-6602	recommended
Trap	K-9000	recommended
Duostrainer	K-8801	optional
Strainer	K-8821	optional

Product Information

Fixture*:		basin area	water depth
Sink		19" x 14"	6-5/8"
Laundry		19" x 14"	11-5/8"
Sink outlet	3-5/8" D.		
Laundry outlet	2-1/8" D.		
Faucet holes	1-3/8" D.		

* Approximate measurements for comparison only.



Roughing-In Notes

Fixture dimensions are nominal and conform to tolerances in ASME/ANSI Standard A112.19.1M.

(T) Drain typically 13-7/8".

(T1) Drain typically 17-3/4".

Cutout	Metal frame required.
--------	-----------------------

.85<116

K-6629 Westover[™] Sink
105140-1-CA (-)

KOHLER[®]