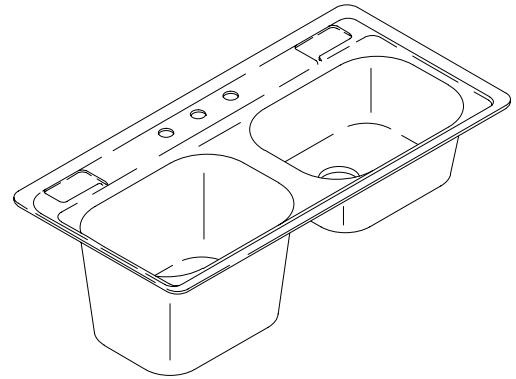


#### FEATURES

- 42" x 21"
- Cast iron
- Acid resistant enamel finish
- Metal frame mounting
- Double (high/low) compartment
- 3-hole drilling for 8" centers faucet
- Deep basin right



#### CODES/STANDARDS APPLICABLE

Specified model meets or exceeds the following:

- ASME/ANSI A112.19.1M
- IAPMO/UPC
- Canadian Standards Association (CSA)
- State of Massachusetts

#### COLORS/FINISHES

- 0 White
- Other Refer to Fixtures Price Book for additional colors

#### Accessories:

- CP Polished Chrome
- NA None Applicable
- Other Refer to Price Book for additional colors

#### SPECIFIED MODEL:

Model	Description	Colors/Finishes	
K-6629-3	Laundry/utility sink with deep basin on right	<input type="checkbox"/> 0 White	<input type="checkbox"/> Other_____

Recommended Accessories			
K-9000	Trap	<input type="checkbox"/> CP	
Optional Accessories			
K-6602	Metal frame	<input type="checkbox"/> NA	
K-8801	Duostrainer sink strainer <b>AND</b>	<input type="checkbox"/> CP	<input type="checkbox"/> Other_____
K-8821	Sink strainer with rubber stopper and tailpiece	<input type="checkbox"/> CP	

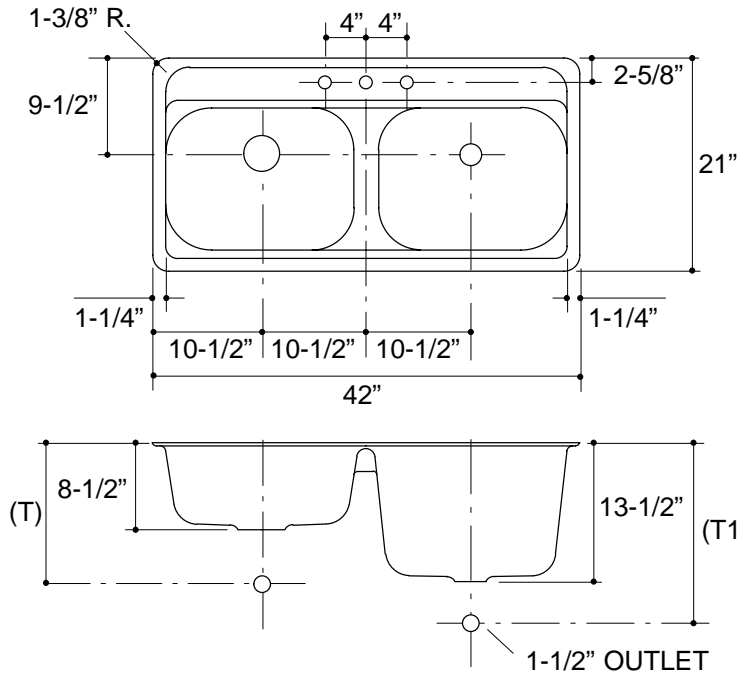
#### PRODUCT SPECIFICATION:

The metal frame mounting laundry/utility sink shall be 42" in length, and 21" in width. Sink shall be made of cast iron with acid resistant enamel finish. Sink shall be double (high/low) compartment. Sink shall be 3-hole drilled for 8" centers faucet. Sink shall have deep basin right. Sink shall be Kohler Model K-6629-3-\_\_\_\_\_.

## PRODUCT INFORMATION

Fixture*:		basin area	water depth
Sink		19" x 14"	6-5/8"
Laundry		19" x 14"	11-5/8"
Sink outlet	3-5/8" D.		
Laundry outlet	2-1/8" D.		
Faucet holes	1-3/8" D.		

\* Approximate measurements for comparison only.



Roughing-In Notes	
(T)	Drain typically 13-7/8".
(T1)	Drain typically 17-3/4".
Cutout	Metal frame required.

.85<116

## PRODUCT DIAGRAM