

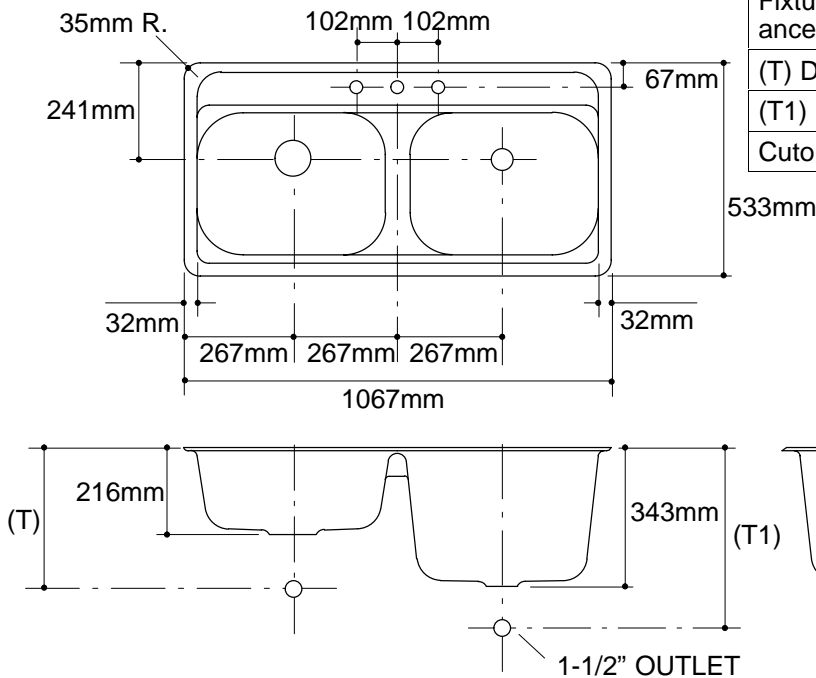
### Ordering Information

Accessories/hardware:		
Metal frame	K-6602	recommended
Trap	K-9000	recommended
Duostrainer	K-8801	optional
Strainer	K-8821	optional

### Product Information

Fixture*:		basin area	water depth
Sink		483 x 356mm	168mm
Laundry		483 x 356mm	295mm
Sink outlet	Ø92mm		
Laundry outlet	Ø54mm		
Faucet holes	Ø35mm		

\* Approximate measurements for comparison only.



### Roughing-In Notes

Fixture dimensions are nominal and conform to tolerances in ASME/ANSI Standard A112.19.1M.

(T) Drain typically 352mm.

(T1) Drain typically 451mm.

Cutout Metal frame required.

.85<116

**K-6629** Westover™ Sink  
105140-1M-CA (-)

**KOHLER®**