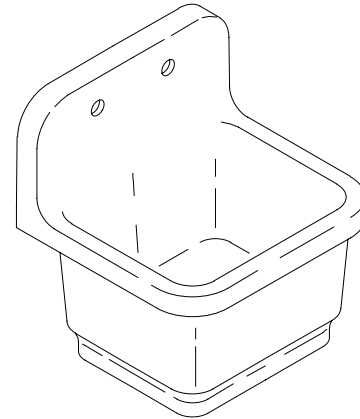


K-6650, K-6652

FEATURES

- 22" x 20"
- Vitreous china
- Single compartment
- 2-hole
- Drilled back (K-6650) or blank back (K-6652)
- Optional rim guard



CODES/STANDARDS APPLICABLE

Specified model meets or exceeds the following:

- ASME/ANSI A112.19.2M
- IAPMO/UPC
- Canadian Standards Association (CSA)
- State of Massachusetts

COLORS/FINISHES

- 0 White

Accessories:

- NA None Applicable

SPECIFIED MODEL:

Model	Description	Colors/Finishes
K-6650	Drilled back service sink	<input type="checkbox"/> 0 White
K-6652	Blank back service sink	<input type="checkbox"/> 0 White
Optional Accessories		
K-8932	Stainless steel rim guards for 9" sides	<input type="checkbox"/> NA
K-8934	Stainless steel rim guards for 12" front	<input type="checkbox"/> NA

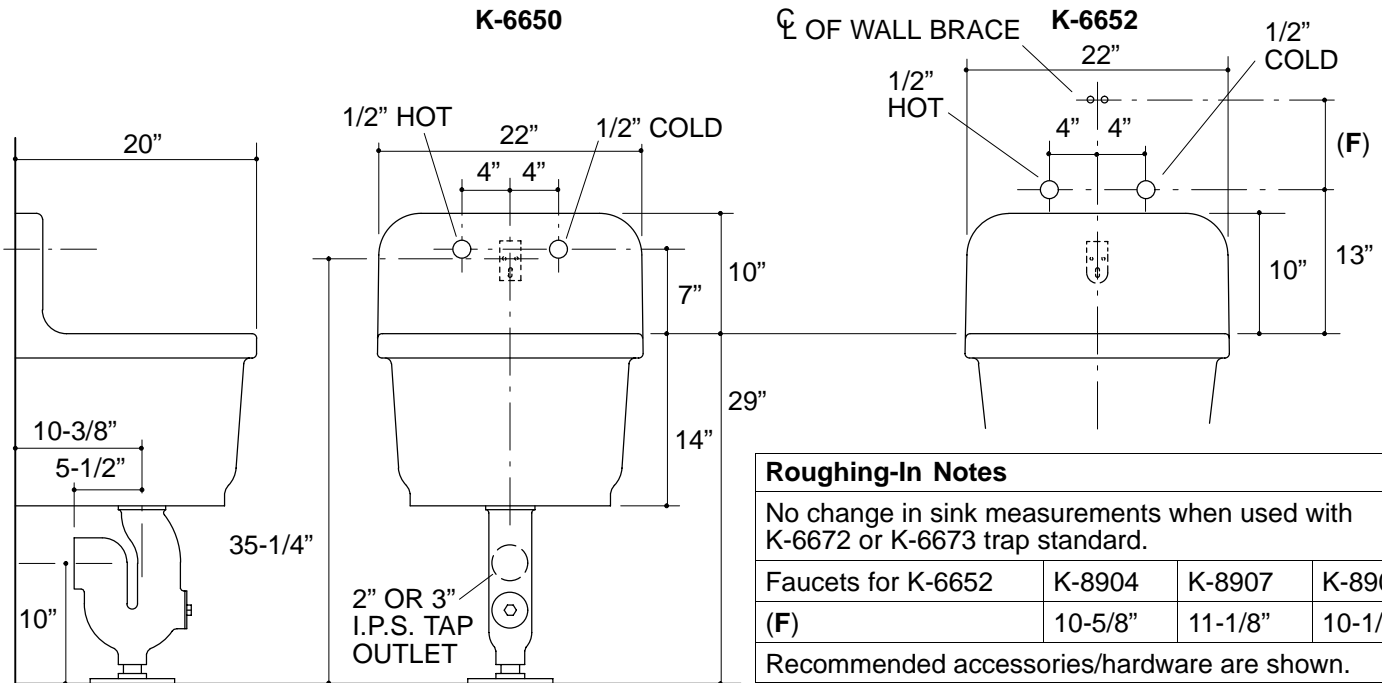
PRODUCT SPECIFICATION:

The service sink shall be 22" in length, and 20" in width. Sink shall be made of vitreous china. Sink shall be single compartment with drilled back (K-6650) or blank back (K-6652). Sink shall be 2-hole (K-6650) drilled. Sink shall have optional rim guard. Sink shall be Kohler Model K-_____-_____.

SUDBURY™

PRODUCT INFORMATION

Fixture*:		basin area	water depth
Sink		19" x 16"	13-1/8"
Outlet	3" D.		
K-6650 faucet holes	1-1/2" D.		
* Approximate measurements for comparison only.			
Included Components:			
Wall hanger		64512	



116

PRODUCT DIAGRAM