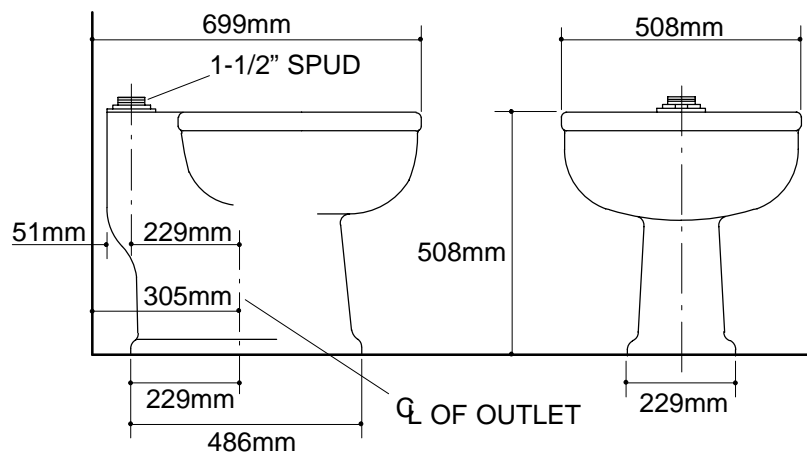


Ordering Information

Accessories/hardware:		
Floor bolts (pr.)	21401	recommended
Stainless steel rim guard	K-8935	recommended

Product Information

Fixture*:		basin area	water depth
Sink		432 x 432mm	194mm
Water surface	305 x 305mm		
Outlet	Ø70mm		
Spud hole	Ø57mm		
Passageway	64mm		
Minimum running pressure required			25 p.s.i.
* Approximate measurements for comparison only.			
Included Components:			
1-1/2" spud			18357
Bolt caps (pr.)			52048



Roughing-In Notes

Fixture dimensions are nominal and conform to tolerances in ANSI Standard A112.19.2M.