

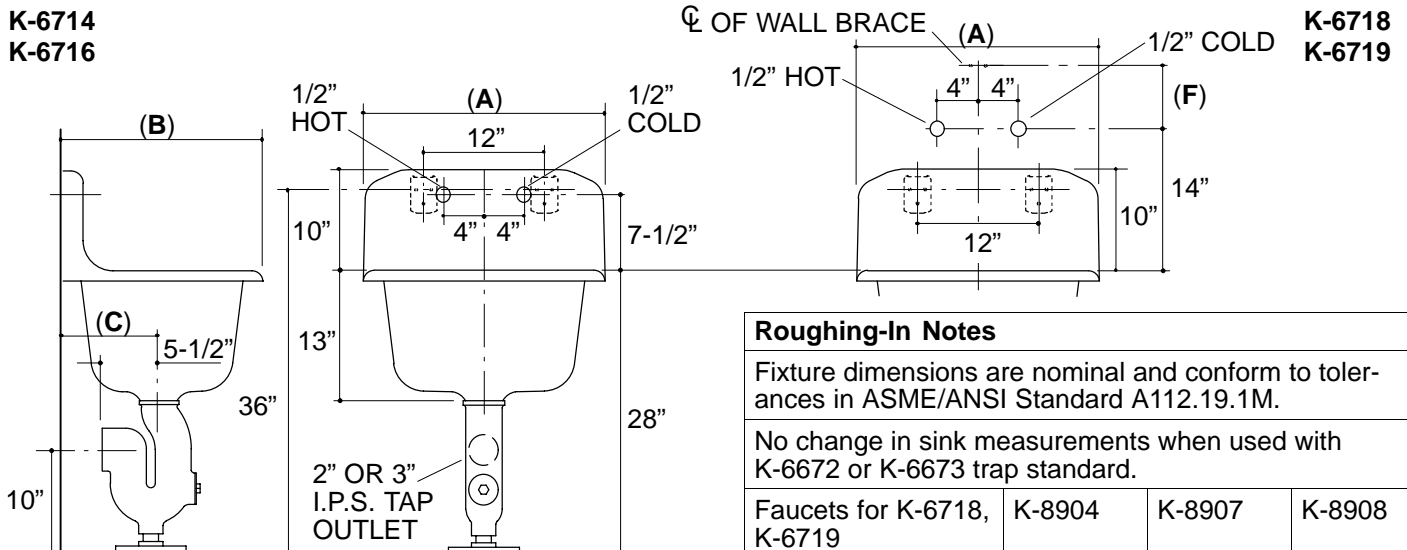
### Ordering Information

Applicable product:		
22-1/4" x 18-1/4", drilled back	K-6714	shown
24" x 20-1/4", drilled back	K-6716	shown
22-1/4" x 18-1/4", blank back	K-6718	shown
24" x 20-1/4", blank back	K-6719	shown
Accessories/hardware:		
Trap std. (for 2" iron pipe)	K-6672	recommended
Trap std. (for 3" iron pipe)	K-6673	recommended
Knoxford faucet for K-6718 and K-6719	K-8904	recommended*
Kinlock faucet for K-6718 and K-6719	K-8907	
Kinlock faucet for K-6718 and K-6719	K-8908	
*Recommended for configuration illustrated.		

### Product Information

Fixture*:		basin area	water depth
K-6714, K-6718		18" x 14"	12"
K-6716, K-6719		20" x 16"	12"
Outlet	2-7/8" D.		
Faucet holes	1-1/2" D.		
Rim guard holes	5/8" D.		
* Approximate measurements for comparison only.			

Included Components:	
Hangers	64515
Stainless steel rim guards	K-8937



Roughing-In Notes			
Fixture dimensions are nominal and conform to tolerances in ASME/ANSI Standard A112.19.1M.			
No change in sink measurements when used with K-6672 or K-6673 trap standard.			
Faucets for K-6718, K-6719	K-8904	K-8907	K-8908
(F)	10-5/8"	11-1/8"	10-1/2"
	(A)	(B)	(C)
K-6714, K-6718	22-1/4"	18-1/4"	8-1/2"
K-6716, K-6719	24"	20-1/4"	9-1/2"
Recommended accessories/hardware are shown.			

.9<116