

**LAVATORY DRAIN**  
**K-7710**  
**ALSO K-7712**

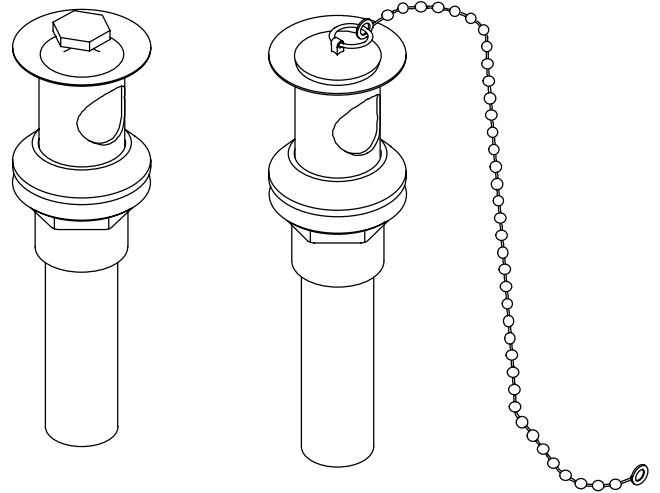
**FEATURES**

- Brass construction
- Available with non-removable metal stopper or rubber stopper and chain
- 1-1/4" connection
- Brass tailpiece

**CODES/STANDARDS APPLICABLE**

Specified model meets or exceeds the following:

- ASME/ANSI A112.18.1M
- CSA B125
- IAPMO/UPC



K-7710

K-7712

**COLORS/FINISHES**

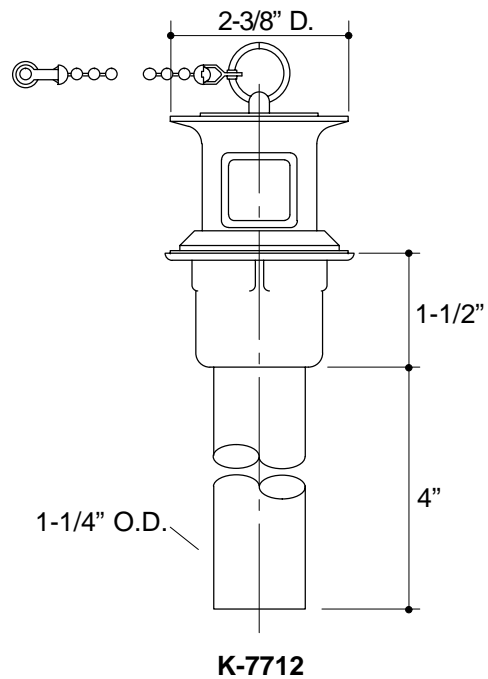
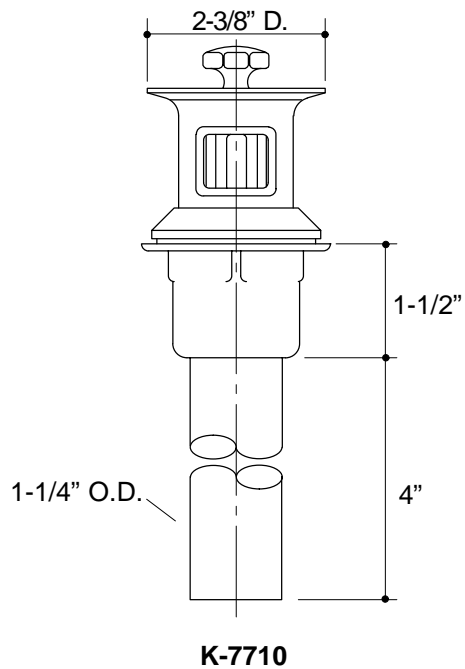
- CP Polished Chrome
- PB Polished Brass

**SPECIFIED MODEL:**

Model	Description		
K-7710	With Non-Removable Metal Stopper	<input type="checkbox"/> CP	<input type="checkbox"/> PB
K-7712	With Rubber Stopper and Chain	<input type="checkbox"/> CP	

**PRODUCT SPECIFICATION:**

Lavatory drain shall be of brass construction. Product shall feature brass tailpiece and 1-1/4" connection. Optional feature shall be non-removable metal stopper or rubber stopper with chain. Drain shall be Kohler Model K-\_\_\_\_\_-\_\_\_\_\_.



**PRODUCT DIAGRAM**