

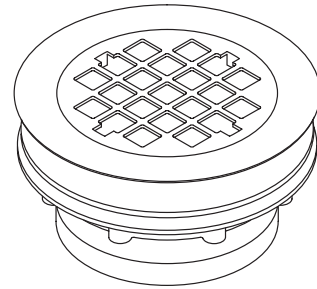
**FEATURES**

- Brass construction
- Intended for installations with 2" caulk connection
- Perforated strainer
- Includes connection gasket

**CODES/STANDARDS APPLICABLE**

Specified model meets or exceeds the following:

- ASME/ANSI A112.18.1M
- CSA B125
- IAPMO/UPC



**COLORS/FINISHES**

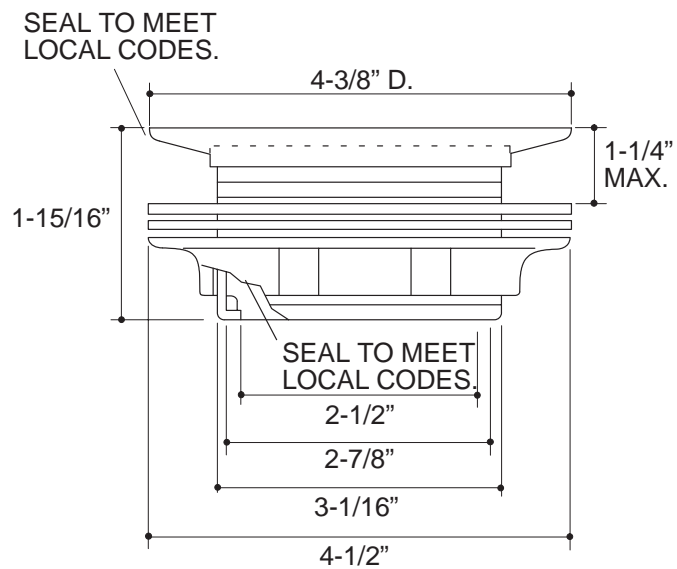
- CP Polished Chrome
- PB Polished Brass
- Other Refer to Faucets Price Book for additional finishes

**SPECIFIED MODEL:**

Model	Description			
K-9132	Shower Drain	<input type="checkbox"/> CP	<input type="checkbox"/> PB	<input type="checkbox"/> Other_____

**PRODUCT SPECIFICATION:**

Shower drain shall be of brass construction. Product is intended for installations with 2" caulk connection. Drain shall be less stopper, body, and tailpiece. Product shall include housing, connection gasket, and perforated strainer. Drain shall be Kohler Model K-9132-\_\_\_\_\_.



K-9132

PRODUCT DIAGRAM