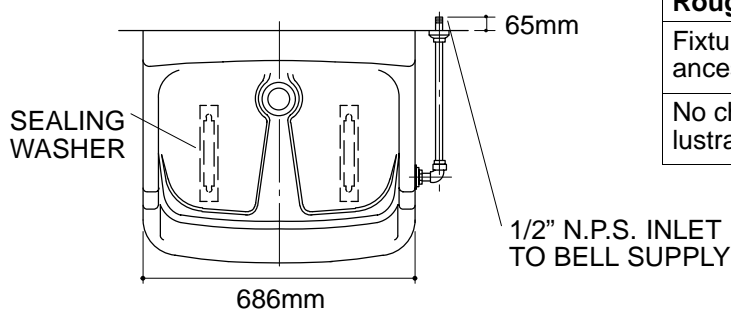


Ordering Information

Accessories/hardware:		
Pedestal	K-12517	required*
Bell supply	K-13023	required*
Drain and trap	K-13128	required*
* Required for configuration illustrated.		

Installation Notes

Pedestal must be attached to sitz bath before installation to hangers.



Roughing-In Notes
 Fixture dimensions are nominal and conform to tolerances in ANSI Standard A112.19.2.
 No change in measurements if connected with drain illustrated.

