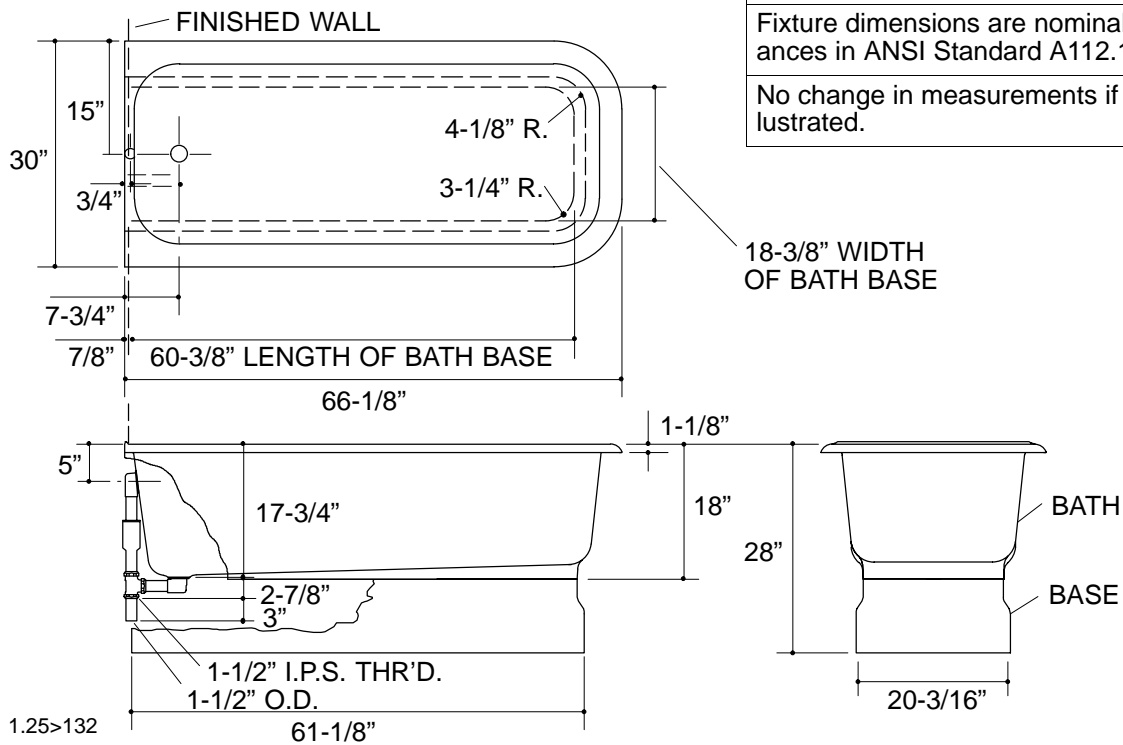


Ordering Information

Applicable product:		
Enameled inside and outside	K-12590	shown
Glazed dark outside	K-12590-D	not shown
Accessories/hardware:		
Drain	K-7150	recommended
Base	K-12594	required*
* Required for configuration illustrated.		

Product Information

Fixture*:	basin area	top area	weight
Bathing well	59" x 19"	62" x 24"	404 lbs.
Base			152 lbs.
	water depth	capacity	
To overflow	10-3/4"	56 gal.	
* Approximate measurements for comparison only.			



K-12590, K-12590-D Carmont™ Bath
105306-1-BA (9534)