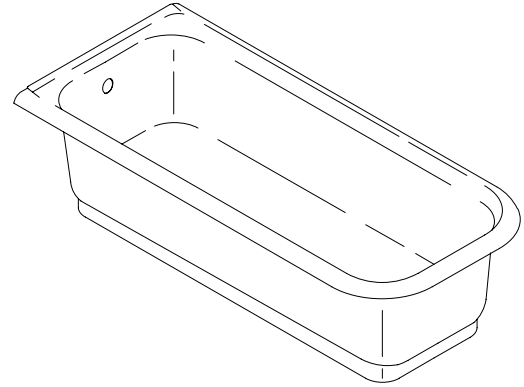


### FEATURES

- 5-1/2'
- Cast iron with Safeguard® finish
- Enameled inside and outside
- Glazed dark outside for drop-in installations (-D)
- Requires K-12594 pedestal base



### CODES/STANDARDS APPLICABLE

Specified model meets or exceeds the following:

- ASME/ANSI A112.19.1M
- State of Massachusetts

### COLORS/FINISHES

- 0 White

#### Accessories:

- CP Polished Chrome

### SPECIFIED MODEL:

| Model                          | Description                   | Colors/Finishes                  |
|--------------------------------|-------------------------------|----------------------------------|
| K-12590                        | Bath                          | <input type="checkbox"/> 0 White |
| K-12590-D                      | Bath with glazed dark outside | <input type="checkbox"/> 0 White |
| <b>Required Accessories</b>    |                               |                                  |
| K-12594                        | Base                          | <input type="checkbox"/> 0 White |
| <b>Recommended Accessories</b> |                               |                                  |
| K-7150                         | Drain                         | <input type="checkbox"/> CP      |

### PRODUCT SPECIFICATION:

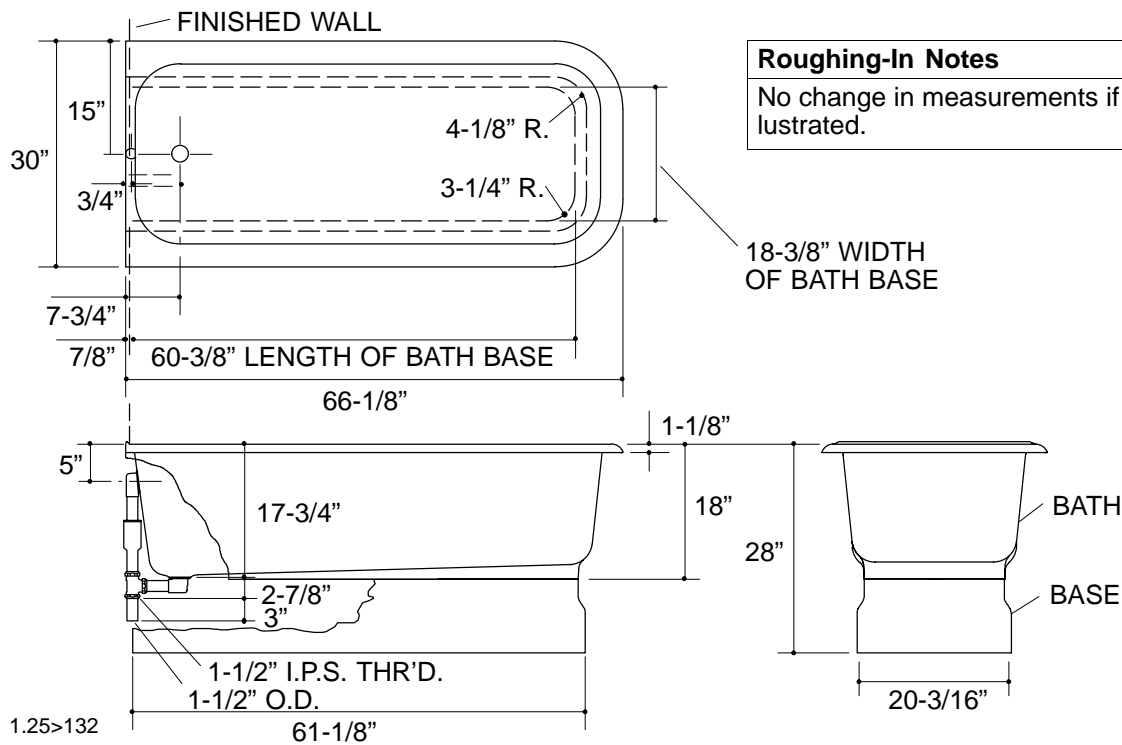
The bath shall be 5-1/2' in length. Bath shall be made of cast iron with Safeguard finish. Bath shall be enameled inside and outside. Bath shall be glazed dark outside for drop-in installations. Bath shall have optional K-12594 pedestal base. Bath shall be Kohler Model K-12590-\_\_\_\_\_-\_\_\_\_\_.

# CARMONT™

## PRODUCT INFORMATION

| Fixture*:    | basin area  | top area  | weight   |
|--------------|-------------|-----------|----------|
| Bathing well | 59" x 19"   | 62" x 24" | 404 lbs. |
| Base         |             |           | 152 lbs. |
|              | water depth | capacity  |          |
| To overflow  | 10-3/4"     | 56 gal.   |          |

\* Approximate measurements for comparison only.



## PRODUCT DIAGRAM