

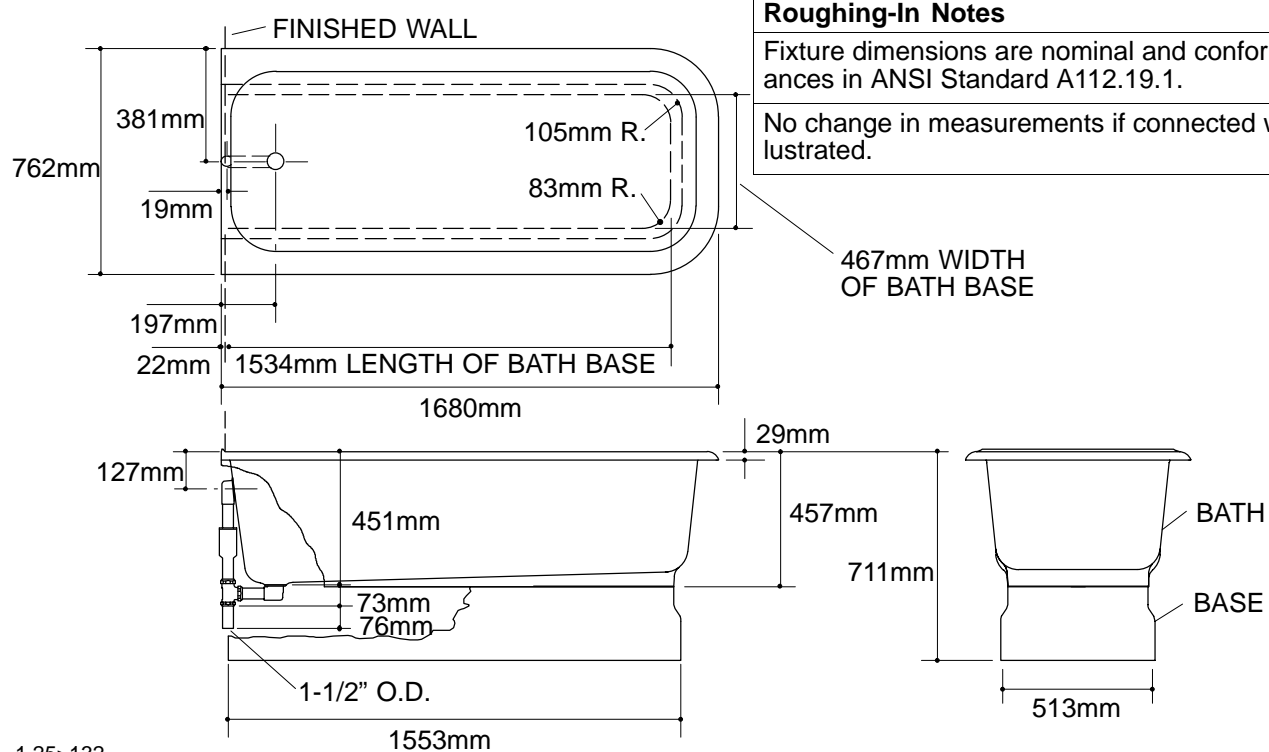
Ordering Information

Applicable product:		
Enameled inside and outside	K-12590	shown
Glazed dark outside	K-12590-D	not shown
Accessories/hardware:		
Drain	K-7150	recommended
Base	K-12594	required*
* Required for configuration illustrated.		

Product Information

Fixture*:	basin area	top area	weight
Bathing well	1499 x 483mm	1575 x 610mm	183 Kg.
Base			69 Kg.
	water depth	capacity	
To overflow	273mm	212 litres	

* Approximate measurements for comparison only.



1.25>132

K-12590, K-12590-D Carmont™ Bath
 105306-1M-AA (9631)