

Ordering Information

Applicable product:		
Single-hole lavatory	K-12638	shown
soap dispenser on left	K-12638-L	
soap dispenser on right	K-12638-R	
11-1/2" centers lavatory	K-12634	not shown
soap dispenser on left	K-12634-L	
soap dispenser on right	K-12634-R	
4" centers lavatory	K-12636	not shown
soap dispenser on left	K-12636-L	
soap dispenser on right	K-12636-R	
Accessories/hardware:		
Trap	K-8998	recommended
3/8" I.P.S. supplies	K-13711	recommended
Offset drain	K-13885	optional
Straight tailpiece (pr.)	32753	recommended

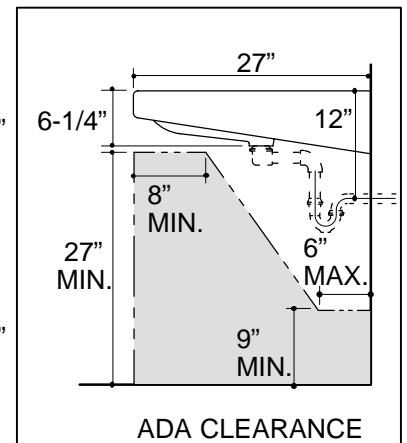
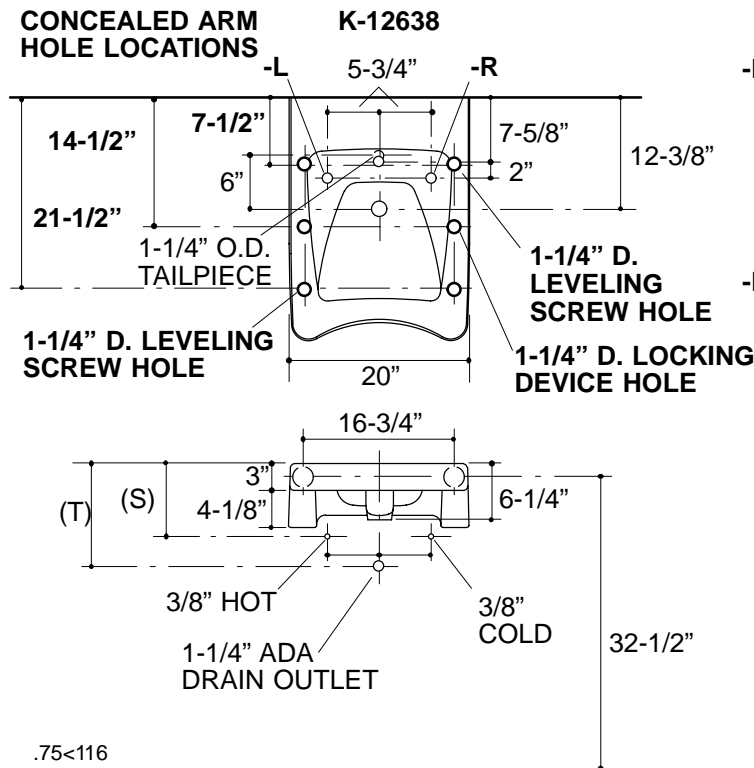
Product Information

ADA compliant when installed with K-13885 offset drain.			
Fixture*:		basin area	water depth
Lavatory		14" x 13"	2-5/8"
Outlet	1-3/4" D.		
* Approximate measurements for comparison only.			
Holes	K-12634	K-12636	K-12638
Spout	1-3/16" D.	1-3/16" D.	1-3/8" D.
Faucet	1-3/8" D.	1-3/16" D.	
Soap dispenser			1-1/4" D.

Installation Notes

Refer to installation instructions included with fixture before beginning installation.

CONCEALED ARM HOLE LOCATIONS



Roughing-In Notes

Fixture dimensions are nominal and conform to tolerances in ASME Standard A112.19.2M.

(T) Grid drain 12".

(S) 8-1/8" (Based on rigid supply).