

WHEELCHAIR LAVATORY

K-12634, K-12636, K-12638

ADA

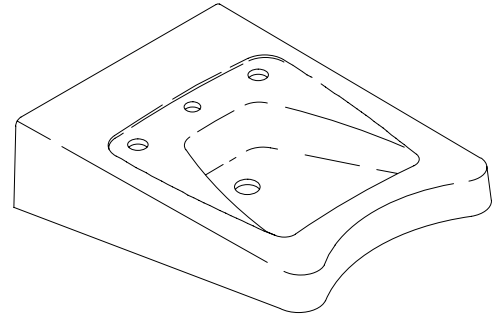
FEATURES

- 20" x 27"
- Vitreous china
- Wall-mount
- 11-1/2" centers (K-12634), 4" centers (K-12636), or single-hole (K-12638)
- With overflow
- ADA compliant when installed with K-13885 offset drain
- Drilled for concealed arm carrier
- Optional soap dispenser hole on left (-L) or right (-R)

CODES/STANDARDS APPLICABLE

Specified model meets or exceeds the following:

- ADA
- ASME/ANSI A112.19.2M
- CABO/ANSI A117.1
- IAPMO/UPC
- Canadian Standards Association (CSA)
- State of Massachusetts



COLORS/FINISHES

- 0 White
- Other Refer to Fixtures Price Book for additional colors

Accessories:

- CP Polished Chrome
- Other Refer to Faucets Price Book for additional finishes

SPECIFIED MODEL:

| Model | Description | Colors/Finishes | |
|-----------|--|----------------------------------|-------------------------------------|
| K-12634 | 11-1/2" centers lavatory less soap dispenser hole | <input type="checkbox"/> 0 White | <input type="checkbox"/> Other_____ |
| K-12634-L | 11-1/2" centers lavatory with soap dispenser hole on left | <input type="checkbox"/> 0 White | <input type="checkbox"/> Other_____ |
| K-12634-R | 11-1/2" centers lavatory with soap dispenser hole on right | <input type="checkbox"/> 0 White | <input type="checkbox"/> Other_____ |
| K-12636 | 4" centers lavatory less soap dispenser hole | <input type="checkbox"/> 0 White | <input type="checkbox"/> Other_____ |
| K-12636-L | 4" centers lavatory with soap dispenser hole on left | <input type="checkbox"/> 0 White | <input type="checkbox"/> Other_____ |
| K-12636-R | 4" centers lavatory with soap dispenser hole on right | <input type="checkbox"/> 0 White | <input type="checkbox"/> Other_____ |
| K-12638 | Single-hole lavatory less soap dispenser hole | <input type="checkbox"/> 0 White | <input type="checkbox"/> Other_____ |
| K-12638-L | Single-hole lavatory with soap dispenser hole on left | <input type="checkbox"/> 0 White | <input type="checkbox"/> Other_____ |
| K-12638-R | Single-hole lavatory with soap dispenser hole on right | <input type="checkbox"/> 0 White | <input type="checkbox"/> Other_____ |

| Recommended Accessories | | | |
|-------------------------|------|-----------------------------|-------------------------------------|
| K-8998 | Trap | <input type="checkbox"/> CP | <input type="checkbox"/> Other_____ |

PRODUCT SPECIFICATION:

The wheelchair lavatory shall be 20" in length, and 27" in width. Lavatory shall be made of vitreous china. Lavatory shall have 11-1/2" centers (K-12634), 4" centers (K-12636), or single-hole (K-12638). Lavatory shall have overflow. Lavatory shall be ADA compliant when installed with K-13885 offset drain. Lavatory shall be drilled for concealed arm carrier. Lavatory shall have optional soap dispenser hole on left (-L) or right (-R). Lavatory shall be Kohler Model K-_____-_____-_____.

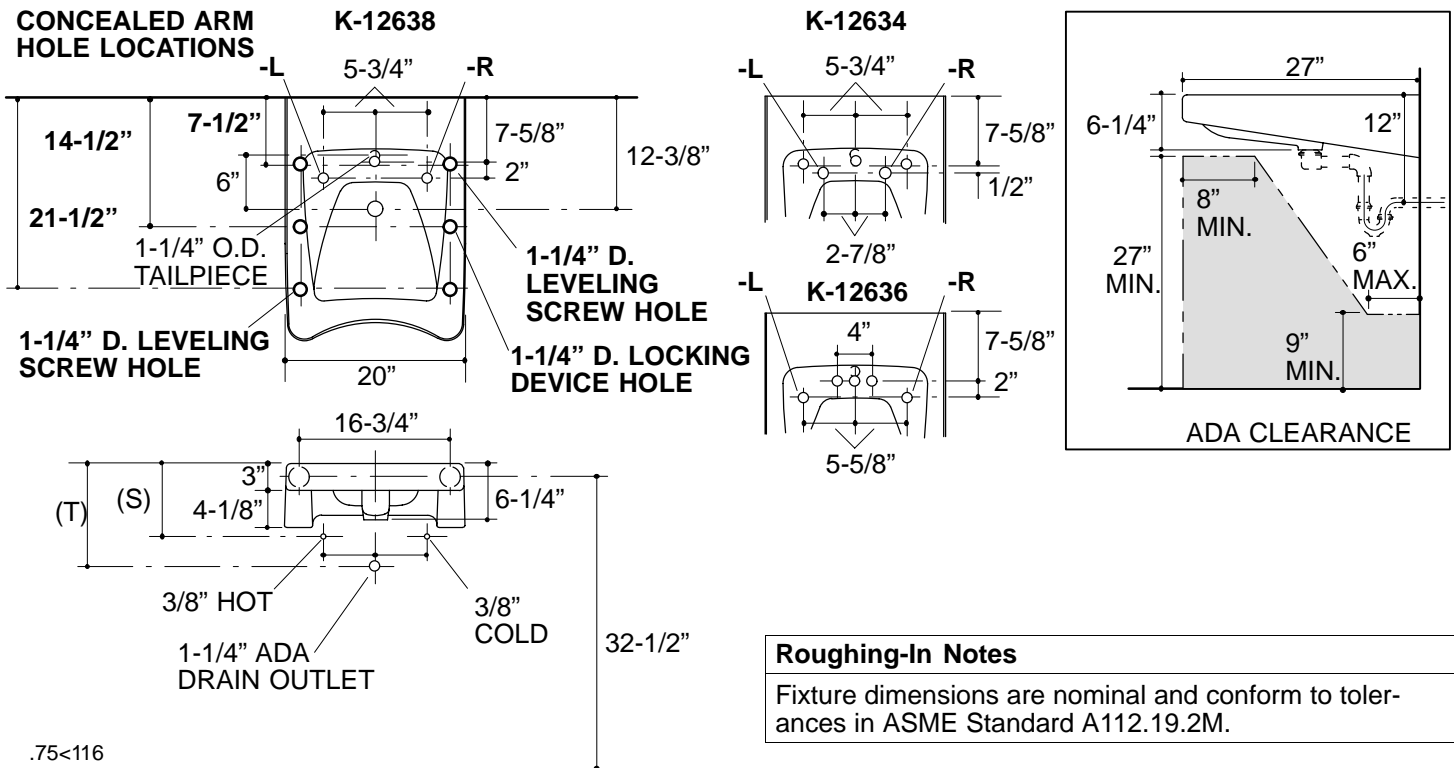
MORNINGSIDE™

PRODUCT INFORMATION

| | | | |
|---|----------------|----------------|----------------|
| ADA compliant when installed with K-13885 offset drain. | | | |
| Fixture*: | | basin area | water depth |
| Lavatory | | 14" x 13" | 2-5/8" |
| Outlet | 1-3/4" D. | | |
| * Approximate measurements for comparison only. | | | |
| Holes | K-12634 | K-12636 | K-12638 |
| Spout | 1-3/16" D. | 1-3/16" D. | 1-3/8" D. |
| Faucet | 1-3/8" D. | 1-3/16" D. | |
| Soap dispenser | | | 1-1/4" D. |

INSTALLATION NOTES

Refer to installation instructions included with fixture before beginning installation.



PRODUCT DIAGRAM