

Ordering Information

Applicable product:		
Single-hole lavatory	K-12638	shown
soap dispenser on left	K-12638-L	
soap dispenser on right	K-12638-R	
292mm centers lavatory	K-12634	not shown
soap dispenser on left	K-12634-L	
soap dispenser on right	K-12634-R	
102mm centers lavatory	K-12636	not shown
soap dispenser on left	K-12636-L	
soap dispenser on right	K-12636-R	
Accessories/hardware:		
Trap	K-8998	recommended
3/8" I.P.S. supplies	K-13711	recommended
Offset drain	K-13885	optional
Straight tailpiece (pr.)	32753	recommended

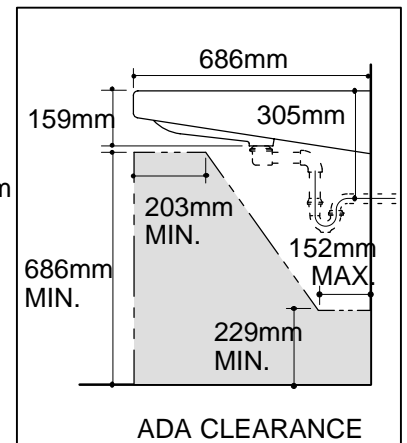
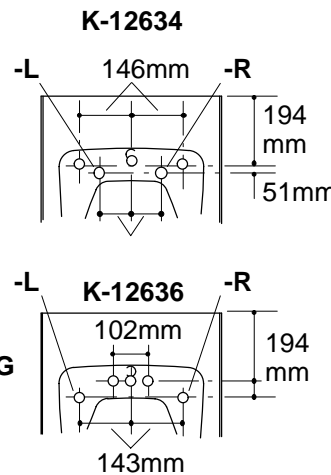
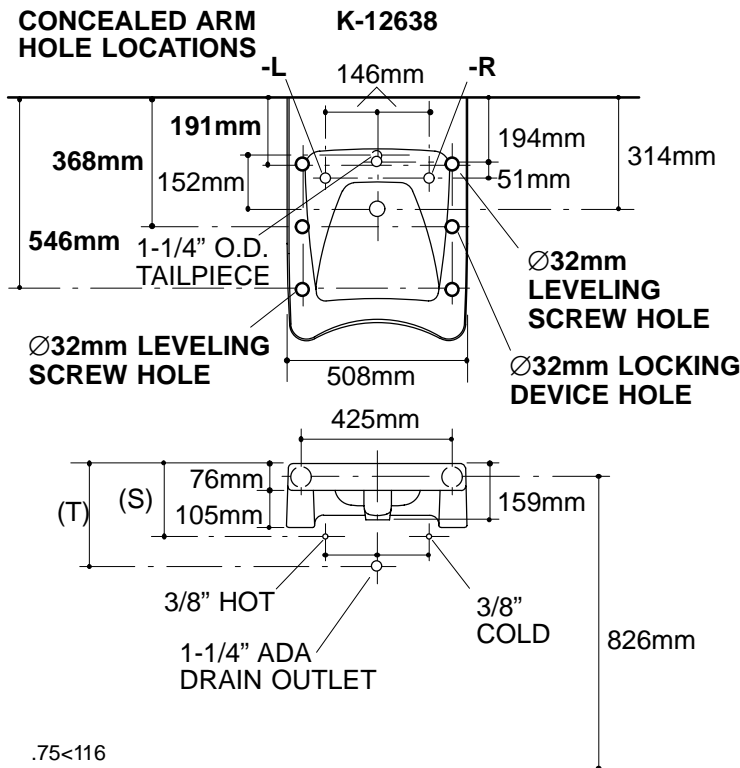
Product Information

ADA compliant when installed with K-13885 offset drain.			
Fixture*:		basin area	water depth
Lavatory		356 x 330mm	67mm
Outlet	Ø44mm		
* Approximate measurements for comparison only.			
Holes	K-12634	K-12636	K-12638
Spout	Ø30mm	Ø30mm	Ø35mm
Faucet	Ø35mm	Ø30mm	
Soap dispenser			Ø38mm

Installation Notes

Refer to installation instructions included with fixture before beginning installation.

CONCEALED ARM HOLE LOCATIONS



Roughing-In Notes

Fixture dimensions are nominal and conform to tolerances in ASME Standard A112.19.2M.

(T) Grid drain 305mm.

(S) 206mm (Based on rigid supply).

.75<116