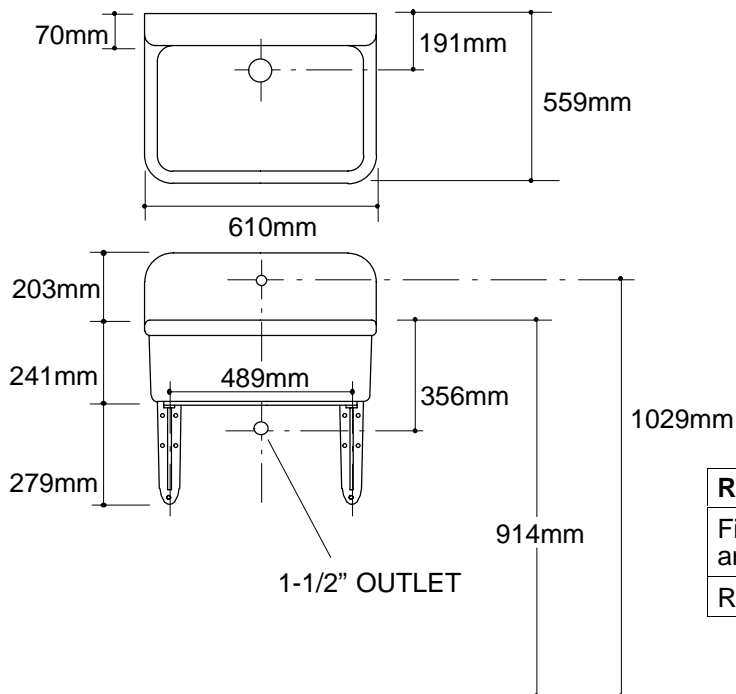


Ordering Information

Accessories/hardware:		
Brackets	K-1814-P	required*
Drain, Ø38mm	K-9115	optional
Drain, Ø51mm	K-9118	optional
Trap	K-9000	optional
*Recommended for configuration illustrated.		

Product Information

Fixture*:		basin area	water depth
Sink		559 x 457mm	219mm
Outlet	Ø57mm		
Faucet hole	Ø35mm		
* Approximate measurements for comparison only.			



Roughing-In Notes
Fixture dimensions are nominal and conform to tolerances in ASME Standard A112.19.2M.
Recommended accessories/hardware are shown.

.8<116