

KOHLER® SERVICE PARTS

BATH AND SHOWER FITTINGS

K-7004§
K-7006§

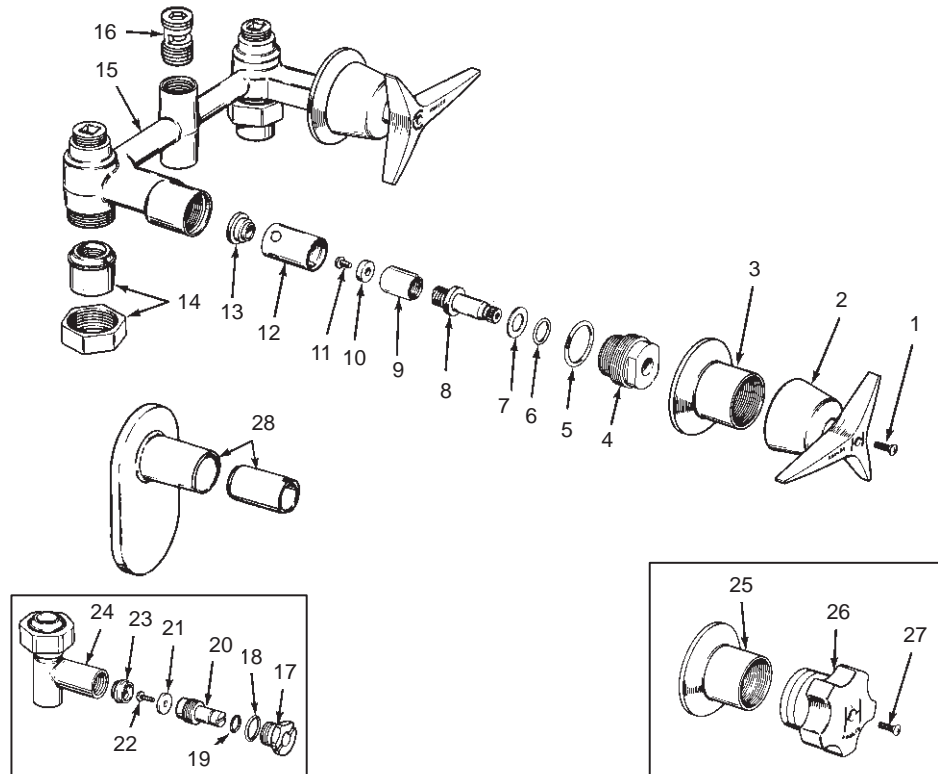
TRITON
CONSTELLATION

BATH AND SHOWER VALVE ASSEMBLY (ILLUSTRATED)
BATH AND SHOWER VALVE ASSEMBLY

ORDER BY KIT NUMBER OR PART NUMBER, NOT ITEM NUMBER OR KIT LETTER.

Ordering Options

Item	Part No. or Kit
1	A or B
2	C
3	D
4	34253†
5, 6, 7	E or F, G
8, 9	E or F
10, 11	E or F, G
12	E or F
13	E or F, G
14	H or I
15	*
16	20421
17	J, O or P
18, 19	J, K, O or P
20	J, O or P
21, 22, 23	J, K, O or P
24	O or P
25	D
26	L
27	M
28	N



Kit Ordering Information

Kit	Kit Part No.	Kit Name	Kit Contents
A	30107‡	Screw (Roundhead)	2 ea., Item 1
B	30097‡	Screw (Countersunk)	2 ea., Item 1
C	30017‡	Triton Chrome Handle	1 ea. Hot, 1 ea. Cold; Item 2
D	30071‡	Escutcheon	2 ea., Item 3 or 25
E	30002†	Valve Replacement (Closes Clockwise)	1 ea., Items 5 thru 13
F	30004†	Valve Replacement (Closes Counterclockwise)	1 ea., Items 5 thru 13
G	30294†	Valve Rebuilding	2 ea., Items 5, 6, 7, 10, 11, and 13
H	30204	Union S.A. (1/2" I.P.)	2 ea., Item 14
I	30203	Union S.A. (5/8" O.D. Copper)	2 ea., Item 14
J	30304	Stop Rebuilding (Major)	2 ea., Items 17 thru 23
K	30291	Stop Rebuilding (Minor)	2 ea., Item 18, 19, 21, 22, and 23
L	30019‡	Constellation Chrome Handle	1 ea. Hot, 1 ea. Cold; Item 26
M	30109‡	Chrome Screw	2 ea., Item 27
N	30095‡	Oval Escutcheon	2 ea., Item 28
O	21310	Stop Replacement (1/2" I.P.)	1 ea., Items 17 thru 24
P	21314	Stop Replacement (5/8" O.D. Copper)	1 ea., Items 17 thru 24

KITS MAY INCLUDE EXTRA PARTS

NOTES:

* Not available as a service part.

LEGEND:

† Service tool required, see NOTES section.

‡ Specify Finish.

§ Reference Number Only.