

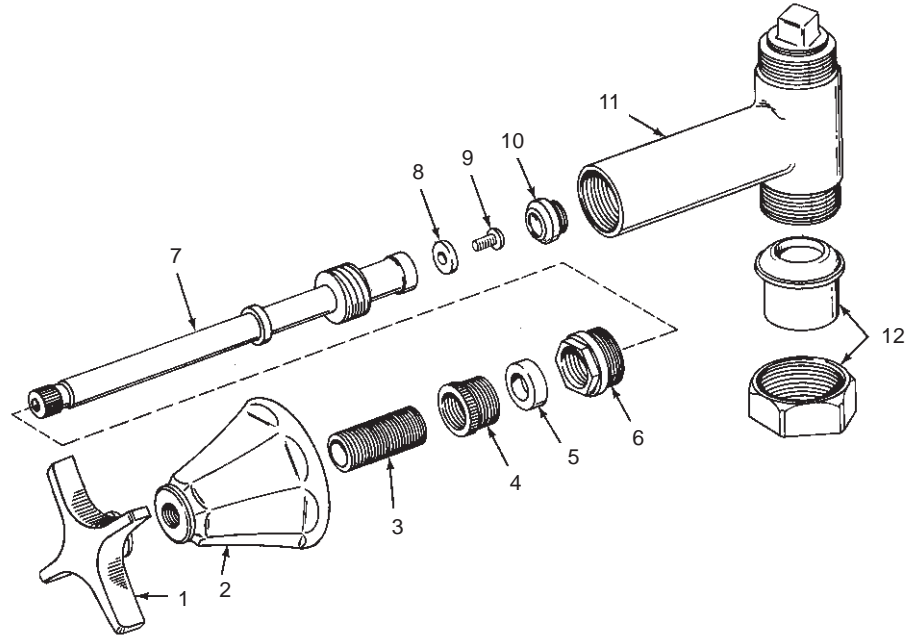
105414§

BATH VALVE WITH RENEWABLE SEAT (PRIOR TO 1941)

ORDER BY KIT NUMBER OR PART NUMBER, NOT ITEM NUMBER OR KIT LETTER.

Ordering Options

Item	Part No. or Kit
1	A
2	B
3	22511
4	32008
5	C
6	32002
7	D
8, 9	C, D
10	C
11	*
12	E or F



Kit Ordering Information

Kit	Kit Part No.	Kit Name
A	30022‡	Handle
B	30079‡	Escutcheon
C	30291	Valve Rebuilding
D	20140	Stem S.A.
E	30203	Union S.A. (5/8" O.D. Copper)
F	30204	Union S.A. (1/2" I.P.)

Kit Contents

1 ea. Hot, 1 ea., Cold; Item 1
 2 ea., Item 2
 2 ea., Items 5, 8, 9, and 10
 1 ea., Items 7, 8, 9
 1 ea., Item 12
 1 ea., Item 12

KITS MAY INCLUDE EXTRA PARTS

NOTES:

* Not available as a service part.

LEGEND:

‡ Specify Finish.

§ Reference Number Only.