

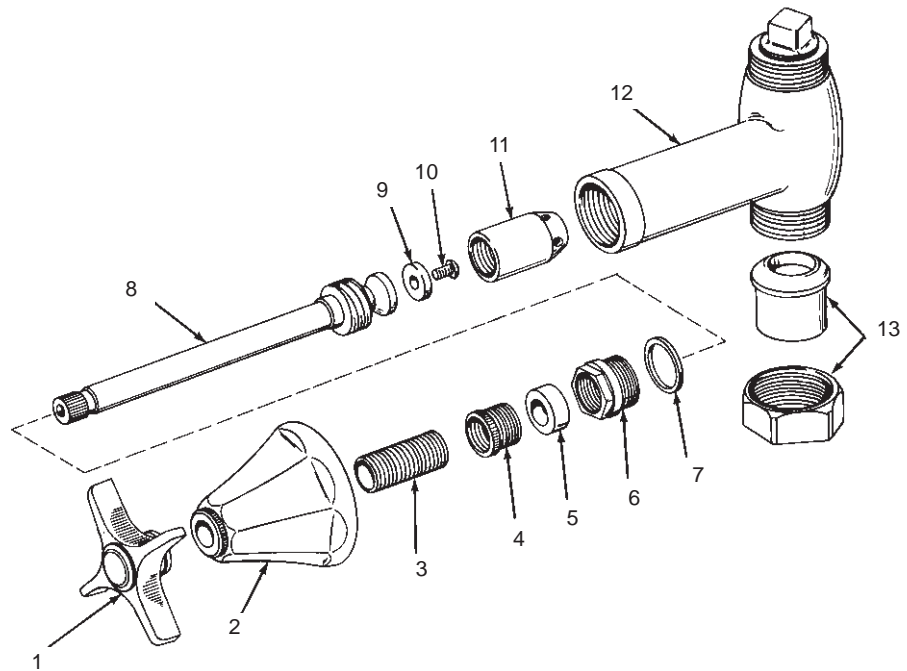
105415§

BATH VALVE ASSEMBLY WITH REMOVABLE UNIT (PRIOR TO 1941)

ORDER BY KIT NUMBER OR PART NUMBER, NOT ITEM NUMBER OR KIT LETTER.

Ordering Options

Item	Part No. or Kit
1	A
2	B
3	22511
4	22510
5	C
6	22502
7	C
8	20072
9, 10, 11	C
12	*
13	D or E



Kit Ordering Information

Kit	Kit Part No.	Kit Name
A	30022‡	Handle
B	30079‡	Escutcheon
C	30290	Valve Rebuilding
D	30204	Union S.A. (1/2" I.P.)
E	30203	Union SA (5/8" O.D. Copper)

Kit Contents

2 ea., Item 1
 2 ea., Item 2
 1 ea., Items 5, 7, 9, 10, and 11
 2 ea., Item 13
 2 ea., Item 13

KITS MAY INCLUDE EXTRA PARTS

NOTES:

* Not available as a service part.

LEGEND:

‡ Specify Finish.
 § Reference Number Only.