

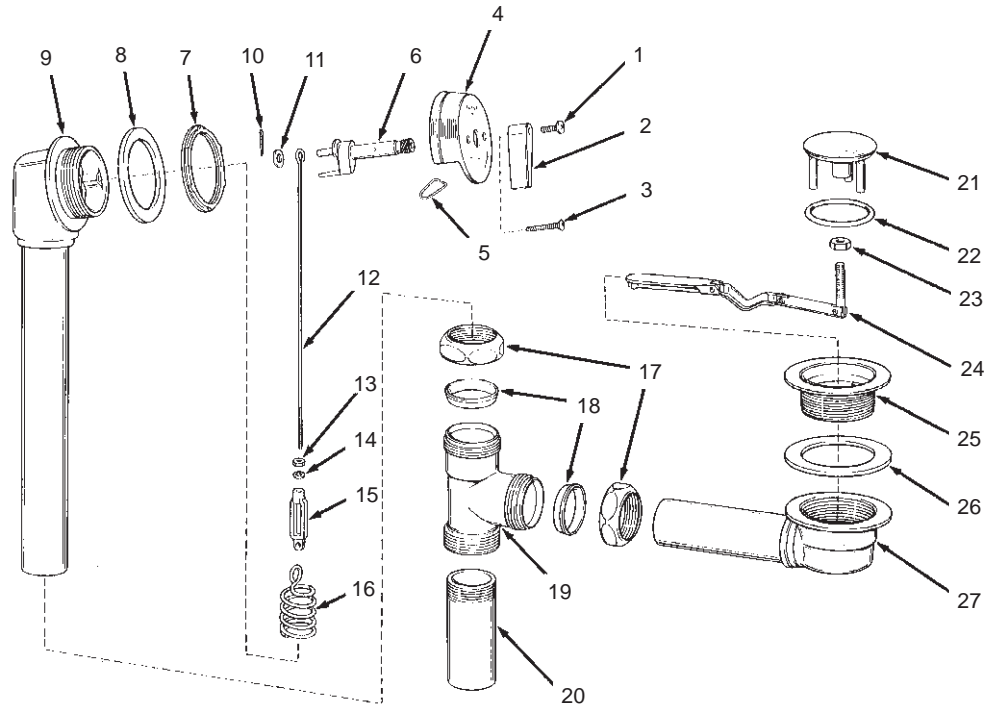
### CLEARPASS REMOVABLE POP-UP BATH DRAIN

K-7150§	SERIES	1-1/2" x 16"
K-7160§	SERIES	1-1/2" x 20"
K-7170§	SERIES	1-1/2" x 14"

ORDER BY KIT NUMBER OR PART NUMBER, NOT ITEM NUMBER OR KIT LETTER.

#### Ordering Options

Item	Part No. or Kit
1	A, D
2	B, D
3	C, D
4, 5, 6	D
7	30968
8	E or F
9	G or H or I
10, 11, 12, 13, 14, 15, 16	J or K or L J or K or L
17	M
18	N
19	O or P or Q
20	30964
21, 22	R
23, 24	S or T
25	30948‡
26	30926*
27	U or V



#### Kit Ordering Information

Kit	Kit Part No.	Kit Name	Kit Contents
A	30105‡	Screw Kit	3 ea., Item 1
B	30906‡	Handle	1 ea., Item 2
C	30103‡	Screw Kit	2 ea., Item 3
D	31019‡	Overflow Hood Kit	1 ea., Items 1, 2, 4, 5, and 6; 2 ea., Item 3
E	30928	Gasket (For Steel Tubs)	1 ea., Item 8
F	31023	Gasket (For Cast Iron Tubs)	1 ea., Item 8
G	30983	Overflow (For 14" Tubs)	1 ea., Item 9
H	30984	Overflow (For 16" Tubs)	1 ea., Item 9
I	30973	Overflow (For 20" Tubs)	1 ea., Item 9
J	30154	Lift Rod Kit (For 14" Tubs)	1 ea., Items 10 thru 16
K	30153	Lift Rod Kit (For 16" Tubs)	1 ea., Items 10 thru 16
L	30155	Lift Rod Kit (For 20" Tubs)	1 ea., Items 10 thru 16
M	30908	Slip Nut Kit	2 ea., Item 17
N	30907	Gasket Kit	2 ea., Item 18
O	30914	Tee (For K-7150, 67, 72, 76 uses Tailpiece)	1 ea., Item 19
P	30915	Tee (For K-7151, 68, 73, 77 w/Slip Joint)	1 ea., Item 19
Q	30916	Tee (For K-7152, 69, 74, 78 w/l.P. Tap)	1 ea., Item 19
R	30975‡	Stopper Kit	1 ea., Items 21 and 22
S	30969	Toggle Kit (7" length)	1 ea., Items 23 and 24
T	30971	Toggle Kit (8-1/16" length – For Mayflower Tub)	1 ea., Items 23 and 24
U	30937	Drain Elbow (7" length)	1 ea., Item 27
V	30941	Drain Elbow (8-1/16" length – For Mayflower Tub)	1 ea., Item 27

#### KITS MAY INCLUDE EXTRA PARTS

#### NOTES:

Other product numbers using same parts:

K-7150-R	K-7153-R	K-7172-R	K-7175-R	K-7178-R
K-7151-R	K-7167-R§	K-7173-R	K-7176-R§	
K-7152-R	K-7168-R§	K-7174-R	K-7177-R	

Drains after 8-87 no longer use "R" suffix.

\* Use two gaskets for steel tubs.

#### LEGEND:

‡ Specify Finish.  
§ Reference Number Only.