

ADJUSTABLE TRIP LEVER BATH DRAINS 1-1/2" x 14"-16"

K-11660§
K-10660§
K-11661§

TREND
SHOREHAM
TREND

WITH TAILPIECE
WITH TAILPIECE
WITH SLIP-JOINT

K-10661§
K-10662§
K-11660-AA

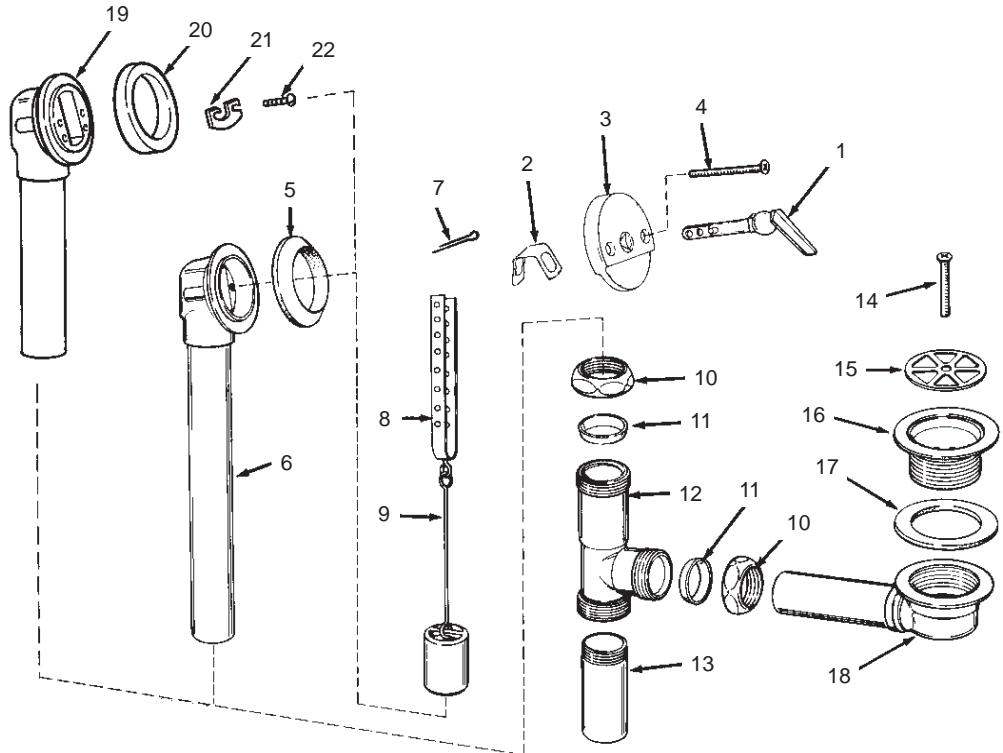
SHOREHAM
SHOREHAM
SWIFFLO

WITH SLIP-JOINT
WITH LP. TAP
WITH TAILPIECE

ORDER BY KIT NUMBER OR PART NUMBER, NOT ITEM NUMBER OR KIT LETTER.

Ordering Options

Item	Part No. or Kit
1, 2, 3, 4	A
4	22154‡, A
5	30935
6	30931
7, 8, 9	B
10	C
11	D
12	E or F
13	28522
14	20615
15	G or H
16	I or J
17	K or L
18	M or N
19	50463
20	52667
21	21594
22	21148



Kit Ordering Information

Kit	Kit Part No.	Kit Name
A	31020‡	Overflow Hood Kit
B	30391	Plunger Kit
C	30908	Nut Kit
D	30907	Gasket Kit
E	41349	Tee (For K-11660, K-11660-AA, K-10660)
F	41352	Tee (For K-11661, K-10661)
G	29070‡	Strainer (2-3/16" Diameter)
H	21601‡	Strainer (1-5/8" Diameter)
I	41357‡	Strainer Body (2-3/16" Diameter)
J	29760‡	Strainer Body (1-5/8" Diameter)
K	29061	Gasket (2-3/16" Diameter)
L	29767	Gasket (1-5/8" Diameter)
M	43089	Drain Elbow (2-3/16" Diameter)
N	43087	Drain Elbow (1-5/8" Diameter)

Kit Contents

1 ea., Items 1, 2, 3; 2 ea., Item 4
1 ea., Items 7, 8, and 9
2 ea., Item 10
2 ea., Item 11
1 ea., Item 12
1 ea., Item 12
1 ea., Item 15
1 ea., Item 15
1 ea., Item 16
1 ea., Item 16
1 ea., Item 17
1 ea., Item 17
1 ea., Item 17
1 ea., Item 17

KITS MAY INCLUDE EXTRA PARTS

NOTES:

LEGEND:

- ‡ Specify Finish.
- § Reference Number Only.