

KOHLER® SERVICE PARTS

LAVATORY FITTINGS

K-6882
K-6883
-L
-P

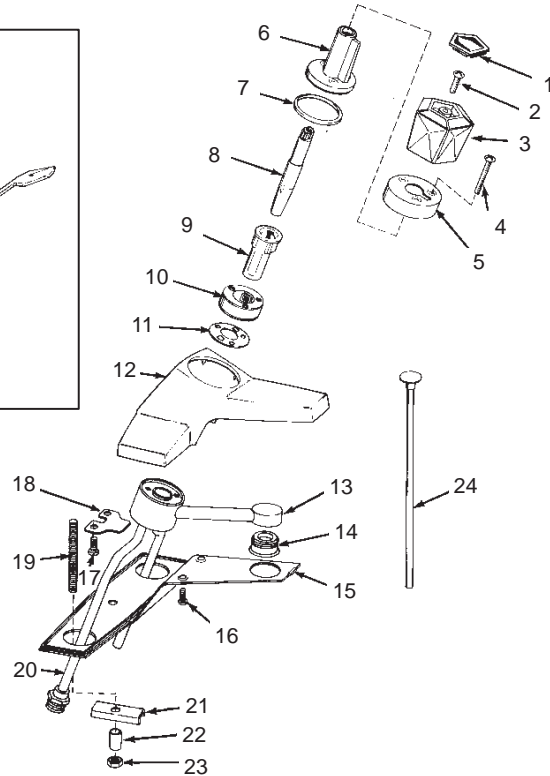
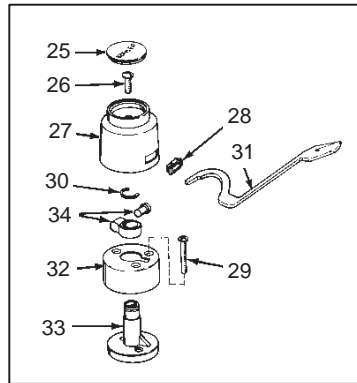
CENTURA
CENTURA

PUSH-PULL SINGLE-CONTROL LAVATORY FITTING
LEVER-CONTROL LAVATORY FITTING
WITH 1/2" SUPPLY LINES
WITH GROUND JOINT CONNECTION

ORDER BY KIT NUMBER OR PART NUMBER, NOT ITEM NUMBER OR KIT LETTER.

Ordering Options

Item	Part No. or Kit
1	A or B or C
2	42351
3	D or E or F
4	G
5	42109, G
6, 7	G
8	H
9	42180, H
10	H
11	42174, H
12	I or J
13	*
14	30072‡
15	42341
16, 17, 18, 19	K
20	*
21, 22, 23	L
24	20340‡
25	42355‡, M
26	42121, M
27	42187‡, M
28	42158, M, N
29	O
30	M, N
31	42107‡, M
32	42109, M, O
33	M, O
34	N



Kit Ordering Information

Kit	Kit Part No.	Kit Name	Kit Contents
A	42361	Clear Plug Button	1 ea., Item 1
B	42362	Amber Plug Button	1 ea., Item 1
C	42363	Charcoal Plug Button	1 ea., Item 1
D	42352	Clear Handle	1 ea., Item 3
E	42353	Amber Handle	1 ea., Item 3
F	42354	Charcoal Handle	1 ea., Item 3
G	30222	Cam Bearing Cover S.A.	3 ea., Item 4; 1 ea., Items 5, 6, and 7
H	30248	Cam Replacement	1 ea., Items 8 thru 11
I	42340‡	Shroud (W/Lift Rod Hole)	1 ea., Item 12
J	42360‡	Shroud (No Hole)	1 ea., Item 12
K	30221	Stud S.A.	2 ea., Items 16 and 17; 1 ea., Items 18 and 19
L	30219	Channel S.A.	2 ea., Items 21, 22, and 23
M	42171‡	Lever Conversion	1 ea., Items 25 thru 33
N	30225	Lever Collar S.A.	1 ea., Items 28, 30 and 34
O	30226‡	Cam Bearing Cover S.A.	3 ea., Item 29; 1 ea., Items 32 and 33

KITS MAY INCLUDE EXTRA PARTS

NOTES:

Other Product Numbers Using Same Parts

K-6884 K-6886

K-6885 K-6887

* Not available as a service part.

For pop-up drain, see K-7701.

LEGEND:

‡ Specify Finish.