

KOHLER® SERVICE PARTS

LAVATORY FITTINGS

K-11800
K-10800§
-PH
-B

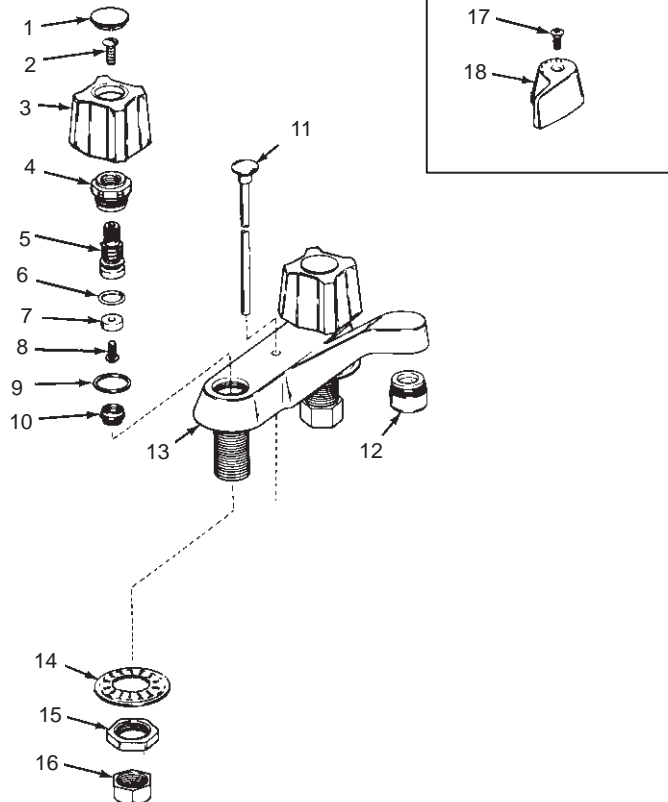
TREND
SHOREHAM

LAVATORY FITTING WITH POP-UP DRAIN
LAVATORY FITTING WITH POP-UP DRAIN
WITH PLASTIC HANDLES
WITH LEVER HANDLES

ORDER BY KIT NUMBER OR PART NUMBER, NOT ITEM NUMBER OR KIT LETTER.

Ordering Options

Item	Part No. or Kit
1	B or C
2	D
3	E or F or G
4, 5	H or I
6, 7, 8, 9, 10	A, H, or I
11	20781‡
12	41056‡
13	*
14, 15, 16	J
17	K
18	L



Kit Ordering Information

Kit	Kit Part No.	Kit Name	Kit Contents
A	30404	Valve Rebuilding	2 ea., Items 6 thru 10
B	30000‡	Plug Button (Chrome)	1 ea. Hot, 1 ea. Cold; Item 1
C	30001‡	Plug Button (Brass)	1 ea. Hot, 1 ea. Cold; Item 1
D	30098	Screw	2 ea., Item 2
E	30009	Clear Acrylic Handle	2 ea., Item 3
F	30029	Charcoal Acrylic Handle	2 ea., Item 3
G	30011‡	Chrome Handle	2 ea., Item 3
H	30395	Valve Replacement (Closes Clockwise)	1 ea., Items 4 thru 10
I	30396	Valve Replacement (Closes Counterclockwise)	1 ea., Items 4 thru 10
J	30228	Attachment S.A.	2 ea., Items 14, 15, and 16
K	30109	Screw	2 ea., Item 17
L	30028‡	Shoreham Lever Handle	1 ea. Hot, 1 ea. Cold; Item 18

KITS MAY INCLUDE EXTRA PARTS

NOTES:

Other Product Numbers Using Same Parts
K-11802 K-11805 K-11806
* Not available as a service part.
For pop-up drain see K-7701.

LEGEND:

‡ Specify Finish.
§ Reference Number Only.