

KOHLER® SERVICE PARTS

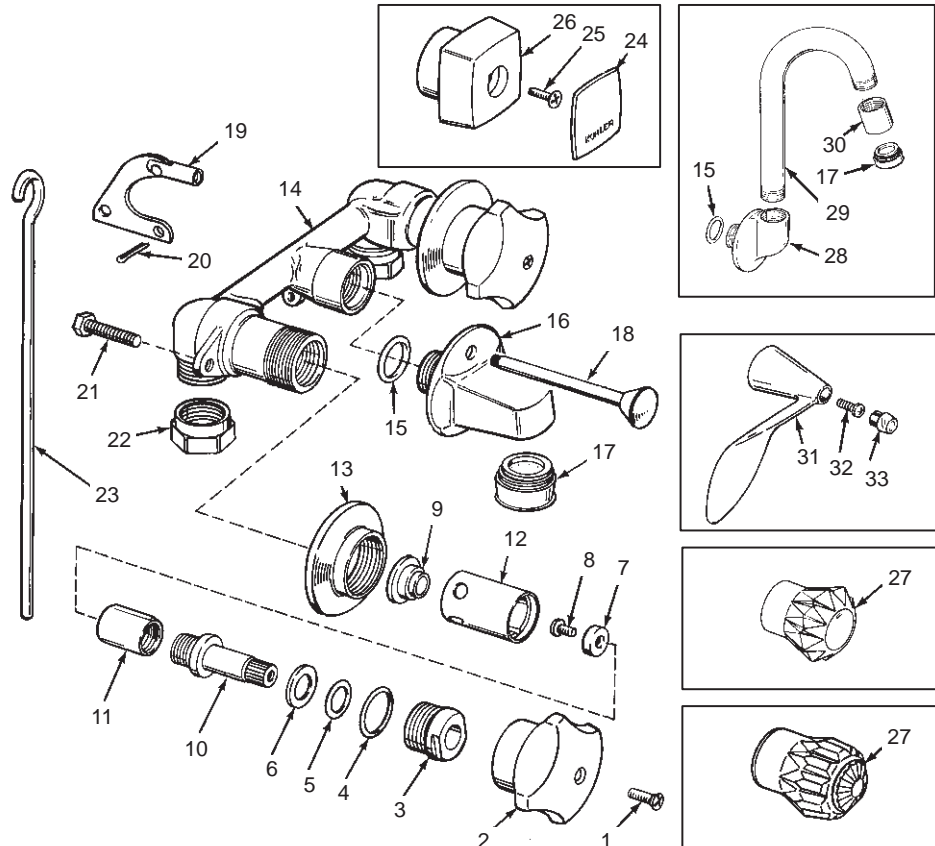
LAVATORY FITTINGS

K-6971	ALTERNA	SHELF-BACK LAVATORY FITTING
K-8040-FL§	FLAIR	SHELF-BACK LAVATORY FITTING
K-8040-T	TRITON II	SHELF-BACK LAVATORY FITTING
K-8040-DB	FLAIR II	SHELF-BACK LAVATORY FITTING
K-13322	FINESSE	SHELF-BACK LAVATORY FITTING

ORDER BY KIT NUMBER OR PART NUMBER, NOT ITEM NUMBER OR KIT LETTER.

Ordering Options

Item	Part No. or Kit
1	B
2	C
3	20475
4, 5, 6, 7, 8, 9	A, D
10, 11, 12	D
13	E
14	*
15	40933, K, N
16	K
17	41007‡, K, N
18	34349‡
19	34898
20	33799
21	J
22	F
23	51198
24	G
25	H
26	29717‡
27	I
28, 29, 30	N
31	O
32	P
33	Q



Kit Ordering Information

Kit	Kit Part No.	Kit Name	Kit Contents
A	30294	Valve Rebuilding	2 ea., Items 4 thru 9
B	30097 ‡	Screw	2 ea., Item 1
C	30024 ‡	Triton II Handles	1 ea. Hot, 1 ea. Cold; Item 2
D	30002	Valve Replacement	1 ea., Items 4 thru 12
E	30085 ‡	Escutcheon	2 ea., Item 13
F	30230	Coupling Nut	2 ea., Item 22
G	29746	Index Cap	4 pr. of 4 finishes; Item 24
H	30105	Screw	2 ea., Item 25
I	106299 §■	Flair, Flair II Handle Options	See INDEX.
J	30113	Screw	2 ea., Item 21
K	34435 ‡	Spout S.A.	1 ea., Items 15, 16, and 17
L	30135	Valve Replacement (Closes Clockwise, Finesse)	1 ea., Items 4 thru 9
M	30134	Valve Replacement (Closes Counterclockwise, Finesse)	1 ea., Items 4 thru 9
N	30406	Spout S.A.	1 ea., Items 15, 17, 28, 29, and 30
O	30334 ‡	Small Finesse Handle	2 ea., Item 31
P	30336	Screw	2 ea., Item 32
Q	30335 ‡	Plug Button	1 ea. Hot, 1 ea. Cold; Item 33

KITS MAY INCLUDE EXTRA PARTS

NOTES:

- * Not available as a service part.
- For pop-up drain see K-7701.

LEGEND:

- ‡ Specify Finish.
- § Reference Number Only.
- Parts further exploded in catalog; see INDEX.