

**K-11820**  
-PH  
-B

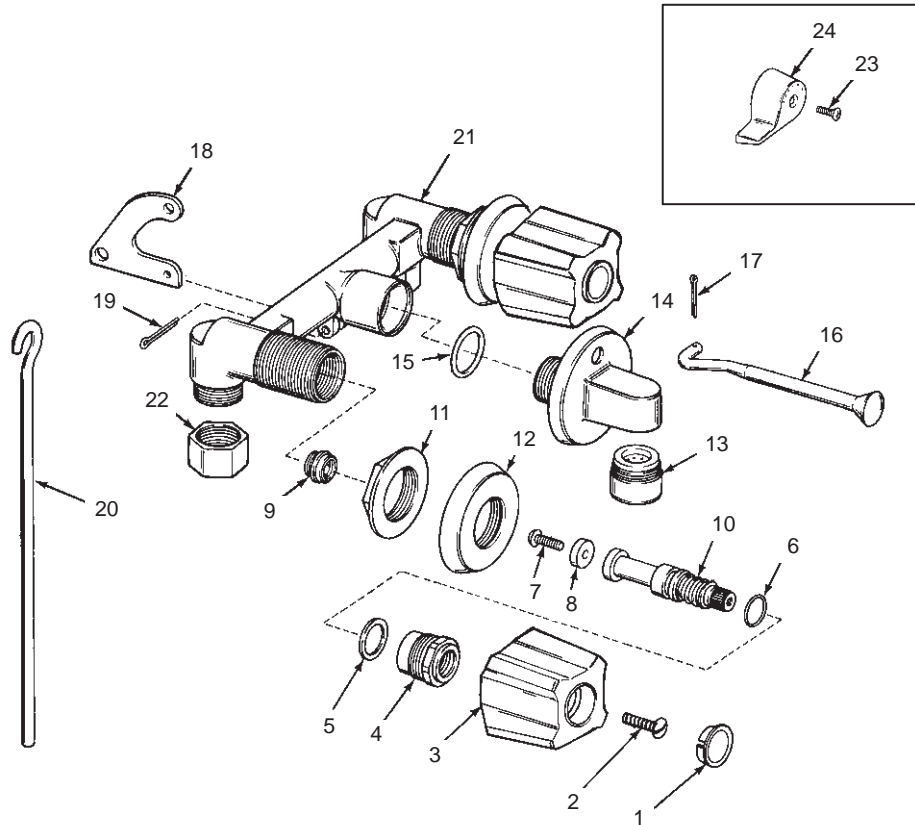
TREND

SHELF-BACK LAVATORY FITTING  
WITH PLASTIC HANDLES  
WITH LEVER HANDLES

ORDER BY KIT NUMBER OR PART NUMBER, NOT ITEM NUMBER OR KIT LETTER.

### Ordering Options

Item	Part No. or Kit
1	B
2	C
3	D or E
4	F or G
5, 6, 7, 8, 9	A, F or G
10	F or G
11	H
12	I
13	41056‡, M
14	M
15	40933, M
16	20489‡
17	20506
18	20490
19	33799
20	51189
21	*
22	J
23	K
24	L



### Kit Ordering Information

Kit	Kit Part No.	Kit Name	Kit Contents
A	30404	Valve Rebuilding	2 ea., Items 5 thru 9
B	30000	Plug Button	1 ea. Hot, 1 ea. Cold; Item 1
C	30098	Screw	2 ea., Item 2
D	30009	Trend Acrylic Handle	1 ea. Hot, 1 ea. Cold; Item 3
E	30011‡	Trend Chrome Handle	1 ea. Hot, 1 ea. Cold; Item 3
F	30141	Valve Replacement (Closes Clockwise)	1 ea., Items 4 thru 10
G	30140	Valve Replacement (Closes Counterclockwise)	1 ea., Items 4 thru 10
H	30237	Brass Lock Nut	2 ea., Item 11
I	30080‡	Flange	2 ea., Item 12
J	30230	Coupling Nut	2 ea., Item 22
K	30109	Screw	2 ea., Item 23
L	30028	Shoreham Handle	1 ea. Hot, 1 ea. Cold; Item 24
M	20884‡	Spout Assembly	1 ea., Items 13, 14, and 15

### KITS MAY INCLUDE EXTRA PARTS

#### NOTES:

Other Product Numbers Using Same Parts

K-10820§ K-10822§ K-10824§

\* Not available as a service part.

For pop-up drain see K-7701.

#### LEGEND:

‡ Specify Finish.

§ Reference Number Only.