

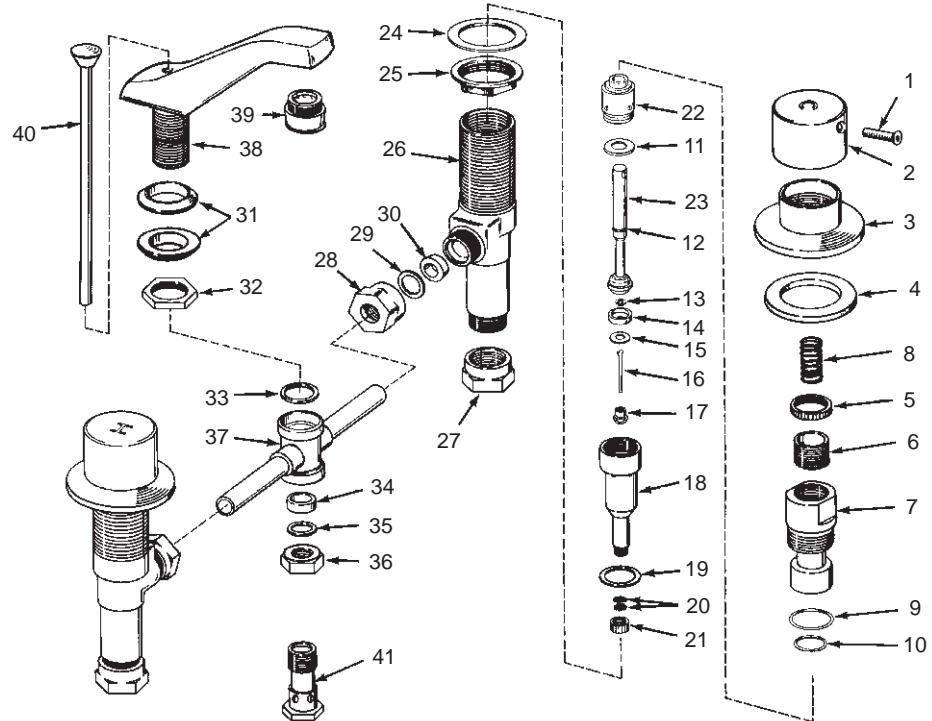
K-7490  
K-7491

WIDESPREAD METERING LAVATORY FITTING  
WIDESPREAD METERING LAVATORY FITTING  
(RIGID CONNECTION)

ORDER BY KIT NUMBER OR PART NUMBER, NOT ITEM NUMBER OR KIT LETTER.

### Ordering Options

Item	Part No. or Kit
1	B
2	C
3	D
4	35715
5, 6, 7	E
8, 9, 10, 11, 12, 13,	A
14, 15, 16, 17, 18,	A
19, 20, 21	A
22, 23	F
24, 25	G
26	38692
27, 28	H
29, 30, 31, 32, 33,	I
34, 35, 36	I
37	35821
38	J or K
39	41061‡
40	51196‡
41	35810*



### Kit Ordering Information

Kit	Kit Part No.	Kit Name
A	30129	Valve Rebuilding
B	30115	Screw
C	30031‡	Knob
D	30089‡	Escutcheon
E	30130	Bonnet
F	30131	Barrel and Stem
G	30240	Attachment S.A.
H	30230	Coupling Nut
I	30229	Gasket/Washer
J	29709‡	Spout for Pop-Up
K	29705‡	Spout

### Kit Contents

1 ea., Items 8 thru 21  
2 ea., Item 1  
1 ea. Hot, 1 ea. Cold; Item 2  
2 ea., Item 3  
1 ea., Items 5, 6, and 7  
1 ea., Items 22 and 23  
2 ea., Items 24 and 25  
2 ea., Item 27 or 28  
2 ea., Items 29 and 30; 1 ea., Items 31 thru 36  
1 ea., Item 38  
1 ea., Item 38

### KITS MAY INCLUDE EXTRA PARTS

#### NOTES:

\* For use on nonpop-up units.  
For pop-up drain see K-7701.

#### LEGEND:

‡ Specify Finish.