

KOHLER® SERVICE PARTS

LAVATORY FITTINGS

K-7504

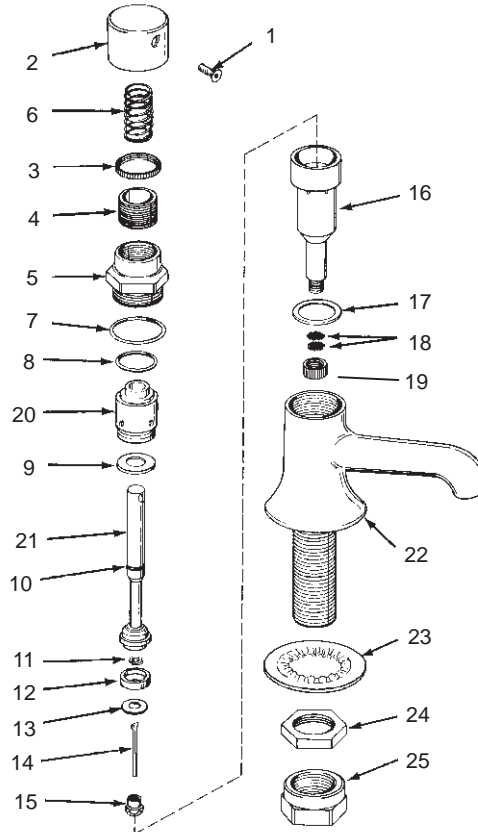
SIGNAL

SELF-CLOSING PUSH BUTTON LAVATORY FITTING

ORDER BY KIT NUMBER OR PART NUMBER, NOT ITEM NUMBER OR KIT LETTER.

Ordering Options

Item	Part No. or Kit
1	44072‡
2	33973‡, *
3, 4, 5	B
6, 7, 8, 9, 10, 11,	A
12, 13, 14, 15, 16,	A
17, 18, 19	A
20, 21	C
22	**
23, 24, 25	D



Kit Ordering Information

Kit	Kit Part No.	Kit Name
A	30129	Valve Rebuilding
B	30241‡	Lock Ring S.A.
C	30242	Barrel and Stem
D	30228	Attachment S.A.

Kit Contents

1 ea., Items 6 thru 19
 1 ea., Items 3, 4, and 5
 1 ea., Items 20 and 21
 2 ea., Items 23, 24, and 25

KITS MAY INCLUDE EXTRA PARTS

NOTES:

- * Specify index H or C.
- ** Not available as a service part.

LEGEND:

- ‡ Specify Finish.