

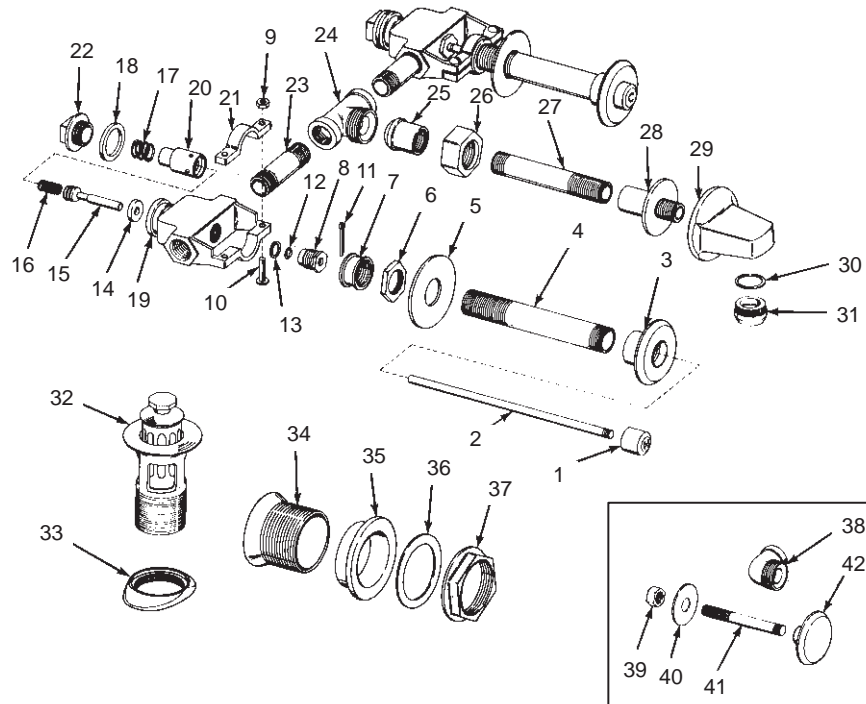
K-7480  
K-7481

INSTITUTIONAL LAVATORY FITTING FOR K-2465  
INSTITUTIONAL LAVATORY FITTING FOR K-2466

ORDER BY KIT NUMBER OR PART NUMBER, NOT ITEM NUMBER OR KIT LETTER.

### Ordering Options

Item	Part No. or Kit
1	B
2	32607*
3	C
4	32608*
5, 6	D
7	E
8, 9, 10	E, F
11	28518, F
12, 13, 14, 15, 16	F, A
17, 18	F, A
19, 20, 21, 22	F
23	32588
24, 25, 26	G
27	32611*
28	32610
29	H
30	33031, H
31	34118‡, H
32	I
33	33858, I
34, 35, 36, 37	J
38	35615
39, 40, 41, 42	K



### Kit Ordering Information

Kit	Kit Part No.	Kit Name
A	30132	Valve Rebuilding
B	30032 ‡	Push Button
C	30091 ‡	Escutcheon
D	30244	Attachment S.A.
E	30246	Bolt Nut Flange
F	31739	Complete End Body
G	31683	Union Tee S.A.
H	34923 ‡	Spout S.A.
I	31614 ‡**	Strainer Assembly
J	18357 **	Spud Assembly
K	31685 ‡	Bolt Assembly

### Kit Contents

2 ea., Items 12 thru 18  
 1 ea. Hot, 1 ea. Cold; Item 1  
 2 ea., Item 3  
 2 ea., Items 5 and 6  
 2 ea., Items 9 and 10; 1 ea., Items 7 and 8  
 2 ea., Items 9 and 10; 1 ea., Items 8 and 11 thru 22  
 1 ea., Items 24, 25, and 26  
 1 ea., Items 29, 30, and 31  
 1 ea., Items 32 and 33  
 1 ea., Items 34 thru 37  
 1 ea., Items 39 thru 42

### KITS MAY INCLUDE EXTRA PARTS

#### NOTES:

- \* Specify length.
- \*\* Assembly not included with fitting.

#### LEGEND:

- ‡ Specify Finish.