

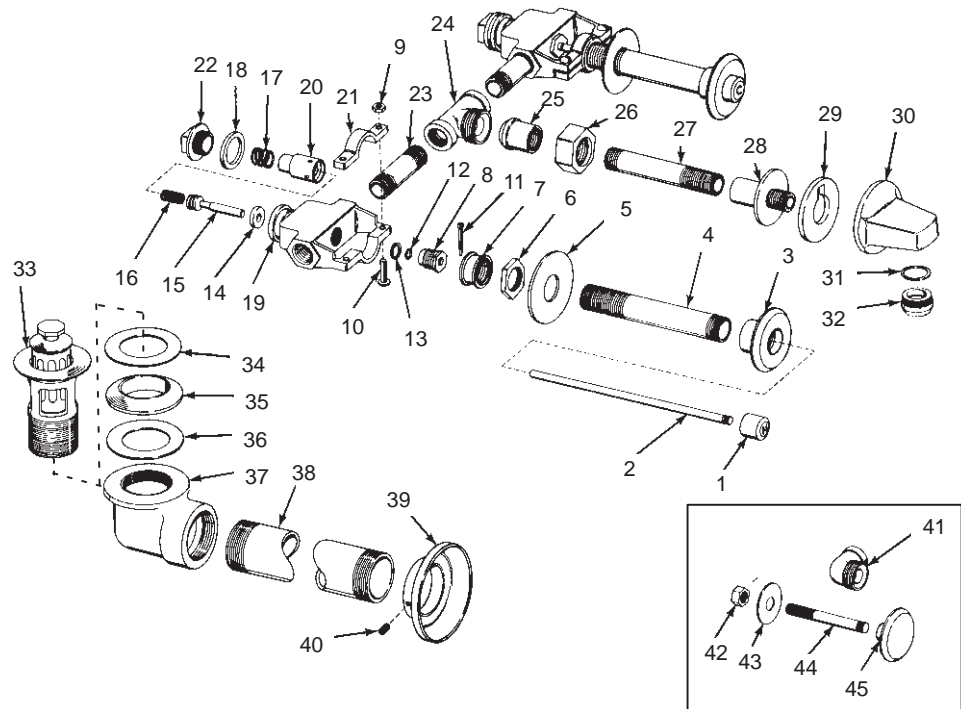
K-7485
K-7486

INSTITUTIONAL LAVATORY FITTING FOR K-2485
INSTITUTIONAL LAVATORY FITTING FOR K-2486

ORDER BY KIT NUMBER OR PART NUMBER, NOT ITEM NUMBER OR KIT LETTER.

Ordering Options

Item	Part No. or Kit
1	B
2	32630*
3	C
4	32628*
5, 6	D
7	E
8, 9, 10	E, F
11	28518, F
12, 13, 14, 15, 16,	A, F
17, 18	A, F
19, 20, 21, 22	F
23	32588
24, 25, 26	H
27	32611*
28	32610
29	32629
30	I
31	33031, I
32	34118‡, I
33	41335‡
34, 35, 36	G
37	33891‡
38	33908*‡
39	42910‡
40	30081
41	35615
42, 43, 44, 45	J



Kit Ordering Information

Kit	Kit Part No.	Kit Name
A	30132	Valve Rebuilding
B	30032‡	Push Button
C	30091‡	Escutcheon
D	30244	Attachment S.A.
E	30246	Bolt Nut Flange
F	31739	Complete End Body
G	30224	Gasket
H	31683	Union Tee S.A.
I	34923‡	Spout S.A.
J	31685‡	Bolt Assembly

Kit Contents

2 ea., Items 12 thru 18
 1 ea. Hot, 1 ea., Cold; Item 1
 2 ea., Item 3
 2 ea., Items 5 and 6
 2 ea., Items 9 and 10; 1 ea., Items 7 and 8
 2 ea., Items 9 and 10; 1 ea., Items 8 and 11 thru 22
 1 ea., Items 34, 35, and 36
 1 ea., Items 24, 25, and 26
 1 ea., Items 30, 31, and 32
 1 ea., Items 42 thru 45

KITS MAY INCLUDE EXTRA PARTS

NOTES:

* Specify length.

LEGEND:

‡ Specify Finish.