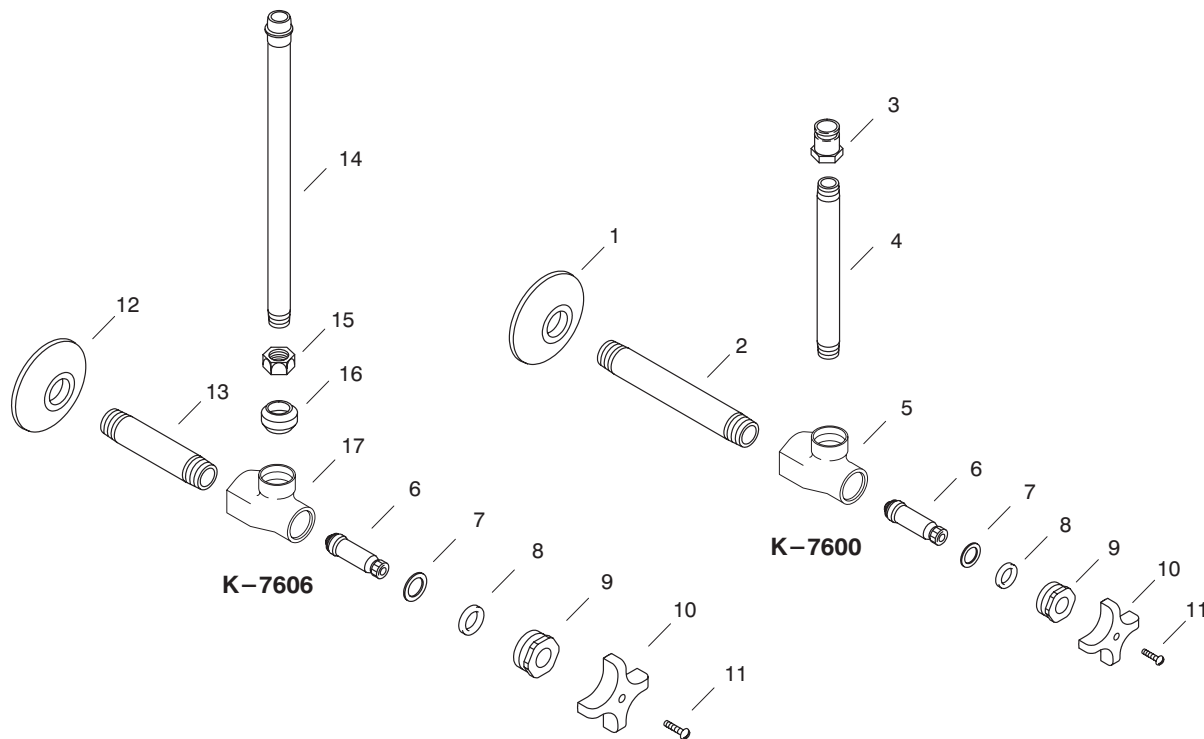


KOHLER® SERVICE PARTS

LAVATORY ANGLE SUPPLY WITH STOP
K-7600-**-AA, K-7600-P-**-AA,
K-7606-**-AA, K-7606-P-**-AA



SERVICE PARTS

ITEM NO.	PART NO.	DESCRIPTION
1	32803	Sure Grip Flange
2	32804	Pipe
3	32805	Coupling, 3/8 NPT x 1/4 NPT
4	33315	Pipe, 3/8 NPT x 5 1/4
5	34554	Valve Body 3/8
6	34536	Valve Stem
7	32748	Washer, .450 ID x .665 OD
8	34117	O-Ring, 205
9	32749	Nut, Packing
10	33395	Handle, 4 Arm Stop
11	33357	Screw, 8-32 NC-2A x .563
12	20429	Flange
13	24096	Supply to Yoke 1/2
14	35710	Supply Tube Assembly 1/2
15	35886	Nut, 1/2-14 NPSM
16	35213	Ball Sleeve, 1/2
17	35132	Valve Body, 1/2

SERVICE KITS

PART NO.	ITEM NO.	QTY.	DESCRIPTION
30133			Valve Kit
	6	1 ea.	Valve Stem
	7	1 ea.	Washer, .450 ID x .665 OD
	8	1 ea.	O-Ring, 205
	9	1 ea.	Nut, Packing
35085			Angle Stop Assembly, 3/8 IP
	5	1 ea.	Valve Body 3/8
	6	1 ea.	Valve Stem
	7	1 ea.	Washer, .450 ID x .665 OD
	8	1 ea.	O-Ring, 205
	9	1 ea.	Nut, Packing
	10	1 ea.	Handle, 4 Arm Stop
	11	1 ea.	Screw, 8-32 NC-2A x .563
35214			Angle Stop, 1/2 IP
	6	1 ea.	Valve Stem
	7	1 ea.	Washer, .450 ID x .665 OD
	8	1 ea.	O-Ring, 205
	9	1 ea.	Nut, Packing
	10	1 ea.	Handle, 4 Arm Stop
	11	1 ea.	Screw, 8-32 NC-2A x .563
	17	1 ea.	Valve Body, 1/2

Variation and/or finish/color code may be required when ordering.