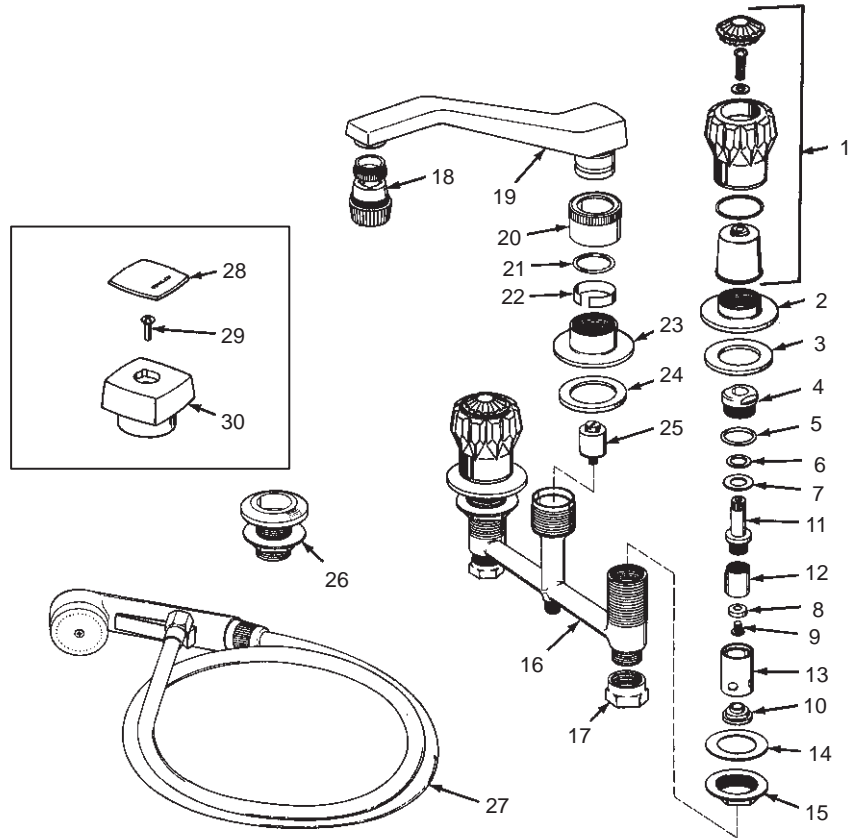


K-6973	ALTERNA	LEDGE SINK FITTING WITH SPRAY
K-6974■	ALTERNA	SINK FITTING FOR BON VIVANT AND ACCESSORIES
K-7771-FL§	FLAIR	LEDGE SINK FITTING WITH SPRAY
K-7771-DB	FLAIR II	LEDGE SINK FITTING WITH SPRAY
K-7772-DB■	FLAIR II	SINK FITTING FOR BON VIVANT AND ACCESSORIES

ORDER BY KIT NUMBER OR PART NUMBER, NOT ITEM NUMBER OR KIT LETTER.

Ordering Options

Item	Part No. or Kit
1	L
2	38606‡
3	39924
4	20475
5, 6, 7, 8, 9, 10	A, B
11, 12, 13	B
14, 15	C
16	*
17	32751
18	I, J, K
19, 20	K
21	29464, K
22	41495, K
23	39941‡
24	39924
25	39931
26	D or E
27	F or G
28	H
29	33357
30	29717‡



Kit Ordering Information

Kit	Kit Part No.	Kit Name
A	30294	Valve Rebuilding
B	30002	Valve Replacement
C	30234	Attachment S.A.
D	50243	Black Hose Guide
E	34329 ‡	Hose Guide
F	71110-A	White Spray and Hose
G	34564 ‡	Black Spray and Hose
H	29746	Index Cap
I	30455	Black Swinger Spray
J	30456	White Swinger Spray
K	39942 ‡	Spout Assembly
L	106299 §■	Flair, Flair II Handle Options

Kit Contents

2 ea., Items 5 thru 10
 1 ea., Items 5 thru 13
 2 ea., Items 14 and 15
 1 ea., Item 26
 1 ea., Item 26
 1 ea., Item 27
 1 ea., Item 27
 4 pr. or 4 finishes; Item 27
 1 ea., Item 18
 1 ea., Item 18
 1 ea., Items 18 thru 22
 See INDEX.

KITS MAY INCLUDE EXTRA PARTS

NOTES:

* Not available as a service part.

LEGEND:

‡ Specify Finish.
 § Reference Number Only.
 ■ Parts further exploded in catalog; see INDEX.