

K-7827§  
K-7823§  
K-7782§

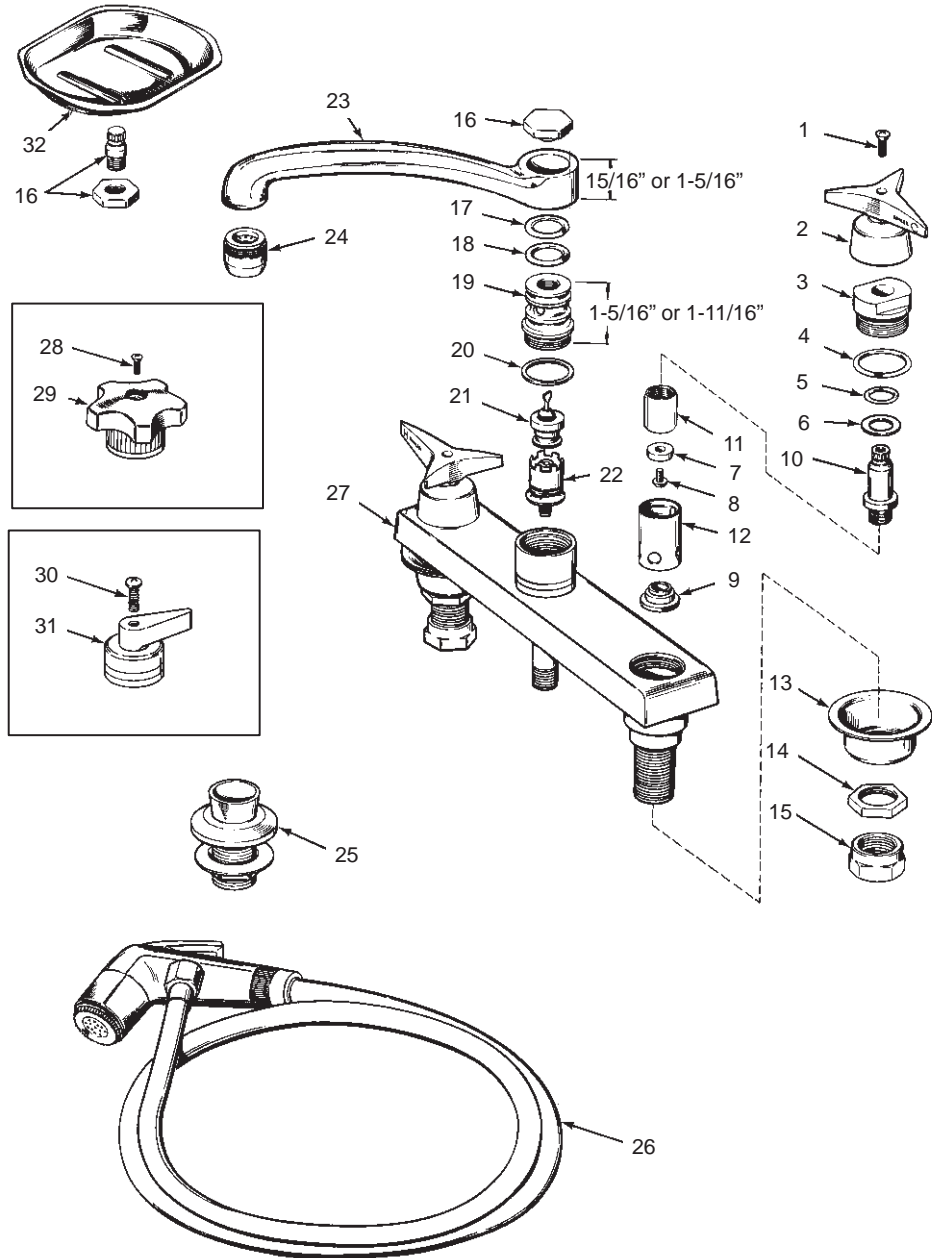
TRITON  
CONSTELLATION

ROCKFORD LEDGE SINK FITTING  
ROCKFORD LEDGE SINK FITTING  
ROCKFORD LEDGE SINK FITTING WITH LEVER HANDLES

(SEE EXPANDED "NOTES" SECTION ON FOLLOWING PAGE FOR PRODUCT NUMBERS)  
ORDER BY KIT NUMBER OR PART NUMBER, NOT ITEM NUMBER OR KIT LETTER.

### Ordering Options

Item	Part No. or Kit
1	B or C
2	D
3	34260
4, 5, 6, 7, 8, 9	A, E, or F
10, 11, 12	E or F
13, 14, 15	G
16	34312‡ or H
17, 18, 19, 20	I or J
21, 22	K
23	L or M
24	41056‡, L or M
25	34329‡
26	R
27	*
28	N
29	O
30	P
31	Q
32	37668‡



OVER

#### NOTES:

\* Not available as a service part.

#### LEGEND:

‡ Specify Finish.  
■ Parts further exploded in catalog; see INDEX.  
§ Reference Number Only.

# SINK FITTINGS

K-7827§	TRITON	ROCKFORD LEDGE SINK FITTING
K-7823§	CONSTELLATION	ROCKFORD LEDGE SINK FITTING
K-7782§		ROCKFORD LEDGE SINK FITTING WITH LEVER HANDLES

SEE "NOTES" SECTION FOR PRODUCT NUMBERS  
ORDER BY KIT NUMBER OR PART NUMBER, NOT ITEM NUMBER OR KIT LETTER.

## Kit Ordering Information

Kit	Kit Part No.	Kit Name	Kit Contents
A	30294	Valve Rebuilding	2 ea., Items 4 thru 9
B	30107	Screw (Roundhead)	2 ea., Item 1
C	30097	Screw (Countersunk)	2 ea., Item 1
D	30027‡	Triton Handles	1 ea. Hot, 1 ea. Cold; Item 2
E	30002‡	Valve Replacement (Closes Clockwise)	1 ea., Items 4 thru 12
F	30004‡	Valve Replacement (Closes Counterclockwise)	1 ea., Items 4 thru 12
G	30227‡	Attachment	2 ea., Items 13 thru 15
H	37766‡	Cap for Soap Dish	1 ea., Item 16
I	30014	Spout Post 1-5/16"	1 ea., Items 17 thru 20
J	30016	Spout Post 1-11/16"	1 ea., Items 17 thru 20
K	39931	Diverter	1 ea., Items 21 and 22
L	37750‡	Spout Aerator 15/16"	1 ea., Items 23 and 24
M	38687‡	Spout Aerator 1-5/16"	1 ea., Items 23 and 24
N	30109	Screw	2 ea., Item 28
O	30026‡	Constellation Handle	1 ea. Hot, 1 ea. Cold; Item 29
P	30105‡	Screw	2 ea., Item 30
Q	30057‡	Lever Handle	1 ea. Hot, 1 ea. Cold; Item 31
R	38613‡	Hose and Spray	1 ea., Item 26

## KITS MAY INCLUDE EXTRA PARTS

### NOTES:

Other Discontinued Product Numbers Using Same Parts  
K-7825§    K-7821§    K-7880§

### LEGEND:

‡ Specify Finish.  
§ Reference Number Only.