

K-7525-T‡
K-7827-T‡

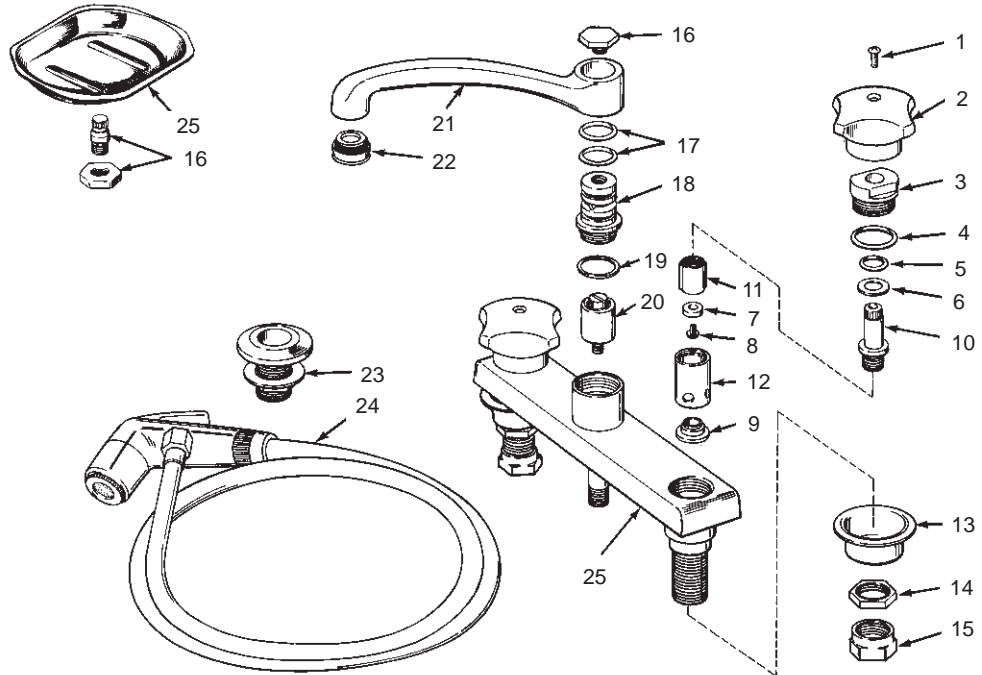
TRITON II
TRITON II

LEDGE SINK FITTING
LEDGE SINK FITTING WITH HOSE AND SPRAY
(PRIOR TO 1981)

ORDER BY KIT NUMBER OR PART NUMBER, NOT ITEM NUMBER OR KIT LETTER.

Ordering Options

Item	Part No. or Kit
1	B
2	C
3	34260
4, 5, 6, 7, 8, 9	A, D
10, 11, 12	D
13, 14, 15	E
16	F or G
17, 18	H
19	H, I
20	I
21	J
22	41056‡, J
23	K
24	L
25	*



Kit Ordering Information

Kit	Kit Part No.	Kit Name	Kit Contents
A	30294	Valve Rebuilding	2 ea., Items 4 thru 9
B	30097‡	Screw	2 ea., Item 1
C	30059‡	Triton II Handle	1 ea. Hot, 1 ea. Cold; Item 2
D	30002	Valve Replacement	1 ea., Items 4 thru 12
E	30227	Attachment S.A.	2 ea., Items 13, 14, and 15
F	34312‡	Cap	1 ea., Item 16
G	37766‡	Cap Post for Soap Dish	1 ea., Item 16
H	30016‡	Spout Post	1 ea., Items 17, 18, and 19
I	30020	Diverter S.A.	1 ea., Items 19 and 20
J	38687‡	Spout S.A.	1 ea., Items 21 and 22
K	34329‡	Hose Guide S.A.	1 ea., Item 23
L	38613‡	Hose and Spray	1 ea., Item 24

KITS MAY INCLUDE EXTRA PARTS

NOTES:

* Not available as a service part.

LEGEND:

‡ Specify Finish.
§ Reference Number Only.