

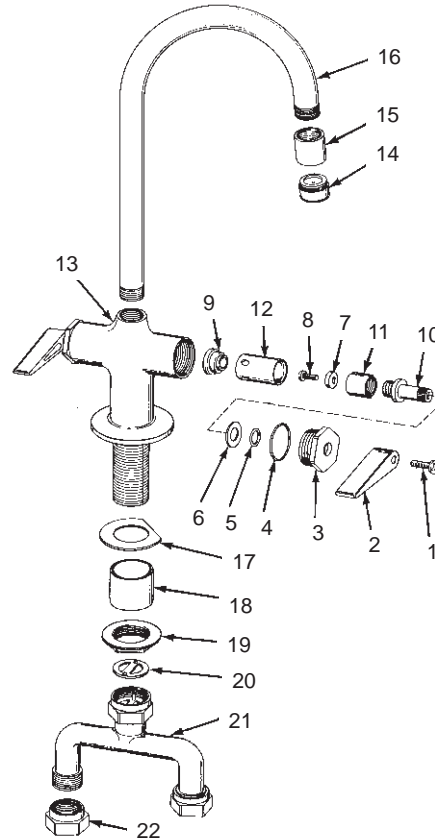
K-7894

PANTRY FAUCET

ORDER BY KIT NUMBER OR PART NUMBER, NOT ITEM NUMBER OR KIT LETTER.

Ordering Options

Item	Part No. or Kit
1	B
2	C
3	34365‡
4, 5, 6, 7, 8, 9	A, D, or E
10, 11, 12	D or E
13	*
14	41056‡
15	34503‡
16	40978‡
17	33007
18	33014
19	22531
20	32992
21	31886
22	F



Kit Ordering Information

Kit	Kit Part No.	Kit Name
A	30294	Valve Rebuilding
B	30105‡	Screw
C	30025‡	Lever Handle
D	30002‡	Valve Replacement (Closes Clockwise)
E	30004‡	Valve Replacement (Closes Counterclockwise)
F	30230	Coupling Nut

Kit Contents

2 ea., Items 4 thru 9
2 ea., Item 1
1 ea. Hot, 1 ea. Cold; Item 2
1 ea., Items 4 thru 12
1 ea., Items 4 thru 12
2 ea., Item 22

KITS MAY INCLUDE EXTRA PARTS

NOTES:

* Not available as a service part.

LEGEND:

‡ Specify Finish.