

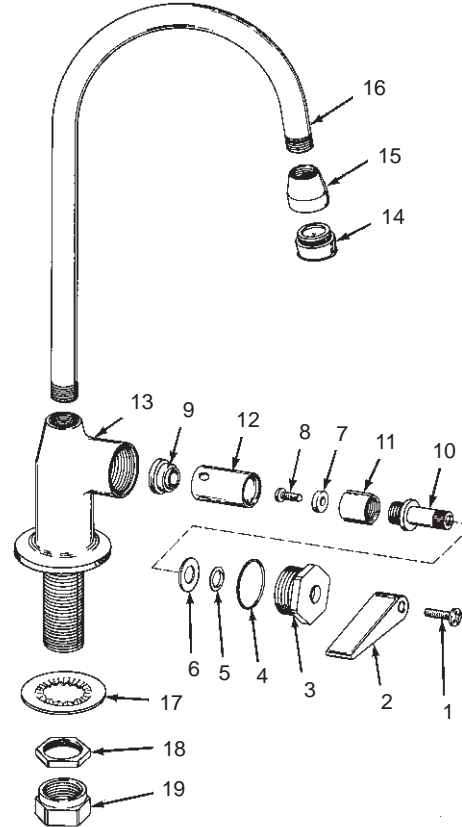
K-7895

PANTRY FAUCET

ORDER BY KIT NUMBER OR PART NUMBER, NOT ITEM NUMBER OR KIT LETTER.

Ordering Options

Item	Part No. or Kit
1	B
2	C
3	34365‡
4, 5, 6, 7, 8, 9	A, D, or E
10, 11, 12	D or E
13	*
14	41056‡
15	34500‡
16	40979‡
17, 18, 19	F



Kit Ordering Information

Kit	Kit Part No.	Kit Name
A	30294	Valve Rebuilding
B	30105‡	Screw
C	30025‡	Lever Handle
D	30002‡	Valve Replacement (Closes Clockwise)
E	30004‡	Valve Replacement (Closes Counterclockwise)
F	30228	Attachment S.A.

Kit Contents

2 ea., Items 4 thru 9
 2 ea., Item 1
 1 ea. Hot, 1 ea. Cold; Item 2
 1 ea., Items 4 thru 12
 1 ea., Items 4 thru 12
 2 ea., Item 17, 18, and 19

KITS MAY INCLUDE EXTRA PARTS

NOTES:

* Not available as a service part.

LEGEND:

‡ Specify Finish.