

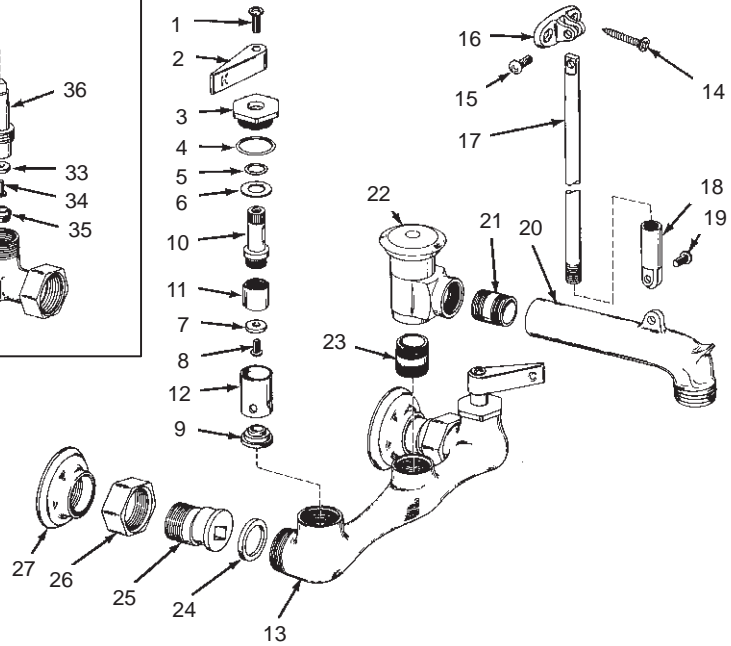
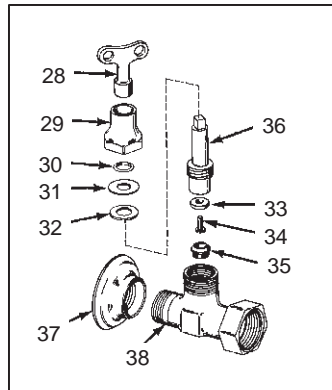
K-8904

SERVICE SINK FITTING

ORDER BY KIT NUMBER OR PART NUMBER, NOT ITEM NUMBER OR KIT LETTER.

Ordering Options

Item	Part No. or Kit
1	B
2	C
3	34365‡
4, 5, 6, 7, 8, 9	A, D, or E
10, 11, 12	D or E
13	*
14	F
15	33625‡
16, 17, 18	G
19	33625‡
20	47880‡
21	29280‡
22	21286‡
23	29280‡
24	40718‡, K
25, 26	K
27	I, J, K
28	32338‡, J
29	32486‡, J
30, 31, 32, 33,	H, J
34, 35	H, J
36	31944, J
37	I, J, K
38	J



Kit Ordering Information

Kit	Kit Part No.	Kit Name	Kit Contents
A	30294	Valve Rebuilding	2 ea., Items 4 thru 9
B	30105‡	Screw	2 ea., Item 1
C	30025‡	Lever Handle	1 ea. Hot, 1 ea. Cold; Item 2
D	30002	Valve Replacement (Closes Clockwise)	1 ea., Items 4 thru 12
E	30004	Valve Replacement (Closes Counterclockwise)	1 ea., Items 4 thru 12
F	51967‡	Screw	2 ea., Item 14
G	30252‡	Rod S.A.	1 ea., Items 16, 17, and 18
H	30300	Stop Rebuilding	2 ea., Items 30 thru 35
I	30093‡	Escutcheon	2 ea., Item 27 or 37
J	31660‡	Loose Key Stop	1 ea., Items 28 thru 38
K	41050‡	Shank Assembly	1 ea., Items 24 thru 27

KITS MAY INCLUDE EXTRA PARTS

NOTES:

* Not available as a service part.

LEGEND:

‡ Specify Finish.