

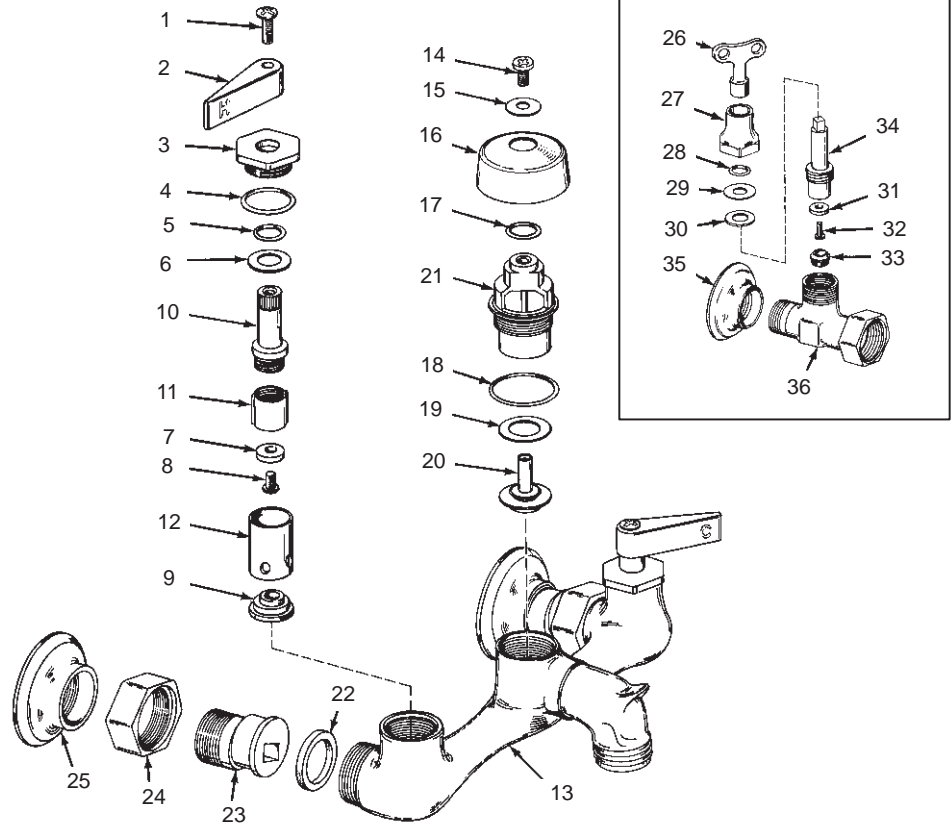
K-8905
K-8906

SERVICE SINK FITTING
SERVICE SINK FITTING WITH LOOSE KEY STOPS

ORDER BY KIT NUMBER OR PART NUMBER, NOT ITEM NUMBER OR KIT LETTER.

Ordering Options

Item	Part No. or Kit
1	B
2	C
3	34365‡
4, 5, 6, 7, 8, 9	D or E, A
10, 11, 12	D or E
13	*
14, 15, 16, 17, 18,	F
19, 20	F
21	41303
22	40718, J
23, 24	J
25	H, I, J
26	32338‡, H
27	32486‡, H
28, 29, 30, 31,	G, H
32, 33	G, H
34	31944, H
35	H, I, J
36	H



Kit Ordering Information

Kit	Kit Part No.	Kit Name	Kit Contents
A	30294	Valve Rebuilding	2 ea., Items 4 thru 9
B	30105‡	Screw	2 ea., Item 1
C	30025‡	Lever Handle	1 ea. Hot 1 ea. Cold; Item 2
D	30002‡	Valve Replacement (Closes Clockwise)	1 ea., Items 4 thru 12
E	30004‡	Valve Replacement (Closes Counterclockwise)	1 ea., Items 4 thru 12
F	30253‡	Check Valve Rebuilding	1 ea., Items 14 thru 20
G	30300	Stop Rebuilding	2 ea., Items 28 thru 33
H	31660‡	Loose Key Stop	1 ea., Items 26 thru 36
I	30093‡	Escutcheon	2 ea., Item 35 or 25
J	41050‡	Shank Assembly	1 ea., Items 22 thru 25

KITS MAY INCLUDE EXTRA PARTS

NOTES:

* Not available as a service part.

LEGEND:

‡ Specify Finish.