

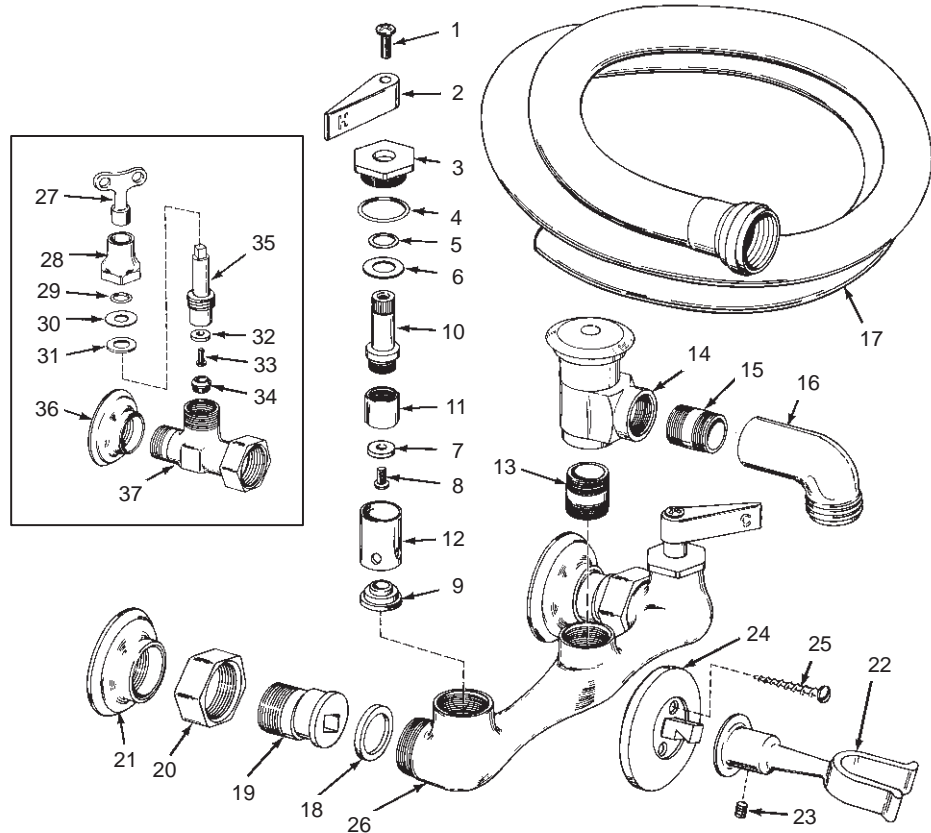
K-8928

SERVICE SINK FITTING

ORDER BY KIT NUMBER OR PART NUMBER, NOT ITEM NUMBER OR KIT LETTER.

### Ordering Options

| Item             | Part No. or Kit |
|------------------|-----------------|
| 1                | B               |
| 2                | C               |
| 3                | 34365‡          |
| 4, 5, 6, 7, 8, 9 | A, D or E       |
| 10, 11, 12       | D or E          |
| 13, 15           | 29280‡          |
| 14               | 21286‡          |
| 15, 13           | 29280‡          |
| 16               | 29579‡          |
| 17               | 29254           |
| 18               | 40718, I        |
| 19, 20           | I               |
| 21               | G, H, I         |
| 22               | J               |
| 23               | 31390‡, J       |
| 24               | J               |
| 25               | 31301‡, J       |
| 26               | *               |
| 27               | 32338‡, H       |
| 28               | 32486‡, H       |
| 29, 30, 31, 32,  | E, H            |
| 33, 34           | E, H            |
| 35               | 31944‡, H       |
| 36               | G, H, I         |
| 37               | H               |



### Kit Ordering Information

| Kit | Kit Part No. | Kit Name                                    |
|-----|--------------|---|
| A   | 30294        | Valve Rebuilding                            |
| B   | 30105‡       | Screw                                       |
| C   | 30025‡       | Lever Handle                                |
| D   | 30002‡       | Valve Replacement (Closes Clockwise)        |
| E   | 30004‡       | Valve Replacement (Closes Counterclockwise) |
| F   | 30300        | Stop Rebuilding                             |
| G   | 30093‡       | Escutcheon                                  |
| H   | 31660‡       | Loose Key Stop                              |
| I   | 41050        | Shank Assembly                              |
| J   | 29578‡       | Wall Hook S.A.                              |

### Kit Contents

|                               |
|-------------------------------|
| 2 ea., Items 4 thru 9         |
| 2 ea., Item 1                 |
| 1 ea. Hot, 1 ea. Cold; Item 2 |
| 1 ea., Items 4 thru 12        |
| 1 ea., Items 4 thru 12        |
| 2 ea., Items 29 thru 34       |
| 2 ea., Item 21 or 36          |
| 1 ea., Items 27 thru 37       |
| 1 ea., Items 18 thru 21       |
| 1 ea., Items 22 thru 25       |

KITS MAY INCLUDE EXTRA PARTS

### NOTES:

\* Not available as a service part.

### LEGEND:

‡ Specify Finish.